



Outperforming the rest in modern innovation



emotion

The obsession with precision and flawless motion makes Artisan folding doors simply perfect.

Maybe that's why Artisan folding doors are turning up in more prestige residential buildings and commercial projects all over Australia.

Artisan.emt incorporates a technologically advanced folding door system that surpasses that of ordinary bi-folds.

Utilising Effortless Motion Technology (emt), Artisan folding doors create harmony, balance and a greater sense of ease. Artisan folding doors move and feel like no other, because it's made like no other. At the heart of it all – Effortless Motion Technology (emt) and Capral's AGS 'Smart Hinge' and 'Easy Gliding' Channel makes Artisan quietly the best and smoothest door on the market.

Effortless Motion Technology creates a moving wall that is flawless in operation while creating a larger than normal door opening where views become vistas that bring outdoor pleasure to any interior environment.

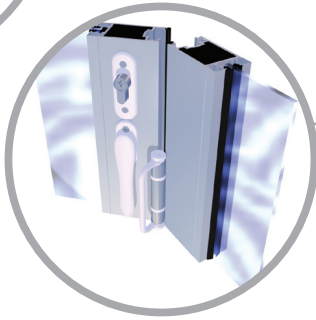
Years of research and development were dedicated to producing the ultimate folding door system. From simplifying the fabricating process to creating a stronger yet smoother and much quieter folding door to operate and maintain. Form, function and flawless motion are what the Artisan folding door is all about.

CAPRAL

ARTISAN^{em}t™

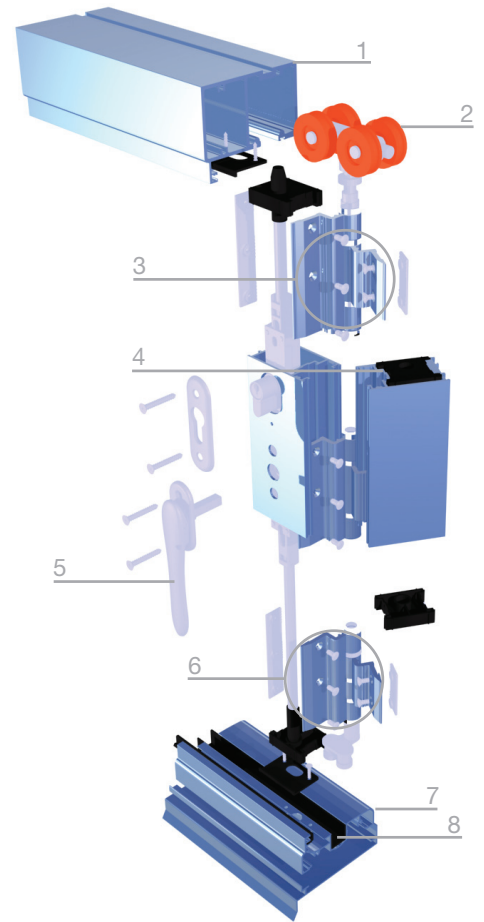
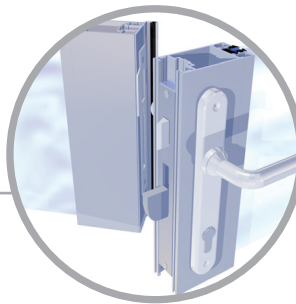


Slim operating handle with adjustable positioning height



Lockable twin bolt mechanism for additional security

Up to 6 point locking system which allows entry from both sides



Quietly the best and smoothest folding door



Maximum Product Performance for door size 3000mm x 4000mm*. Based on four panel configuration

- Serviceability Wind Pressure: Up to 2210 Pa
- Ultimate Wind Pressure: Up to 4200 Pa
- Water Penetration Resistance: Up to 700 Pa
- STC Rating: Up to 34 (-1, -3)
- WERS Cooling Stars: Up to ★★★★★
- WERS Heating Stars: Up to ★★★★★

Door configurations can be custom made to your design requirements.

- ① Super strong head
- ② Heavy duty roller, capable of taking 75kg load per panel
- ③ Incorporates AGS 'Smart Hinge'
- ④ AGS 'Smart Groove' technology for superior fabrication
- ⑤ AGS multi-point locking system
- ⑥ AGS 'Smart Hinge' using superior marine grade stainless steel
- ⑦ High performance sill
- ⑧ AGS 'Easy Gliding' Channel

*The maximum performance ratings listed may not be achieved at the maximum heights and widths specified. Refer to your Account Manager or Artisan technical manual for further information.

Combined with aluminium ecometal and 316 marine grade stainless steel components, Artisan.emt integrated folding door system improves on weather-tightness, security, environmental performance, structural performance, size, function and overall aesthetic requirements.

Design and tested to comply with Australian Standard AS2047, Artisan folding doors will open up an almost limitless range of possibilities for efficient and flexible use of floor space allowing home and commercial environments to function at peak performance.

With slim lines, various sill options and panel configurations, plus a variety of popular colours suitable for domestic and the high demands of commercial applications, and any traditional or contemporary décor, makes Artisan the ideal choice for homeowners, builders, designers and architects alike.

Contact your local Artisan dealer for further details.

