

**PRODUCT BULLETIN No. 216**

**Urban Plus 384 Double Glazed Sliding Window**

**Residential**

Capral is pleased to announce the launch of a new product – the **Urban Plus 384 Double Glazed Sliding Window**.

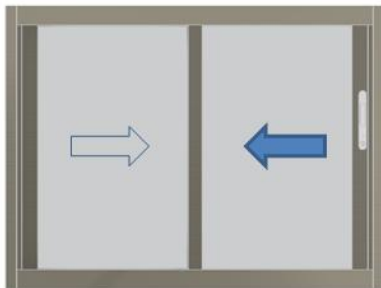
Based on Capral's existing 76mm deep 325 Narrowline framing system, the new sliding window system shares many existing double glazed panel extrusions with the Urban 584 Sliding Door system meaning greater flexibility across Capral suites. The design of the outer frame is primarily 'flat faced' in order to complement the 325 Series framing system.

A unique feature of the system is 'concealed' Rails which, recess into the frames Head and Sill reducing the panel's sight lines and improving the overall aesthetics of the window.

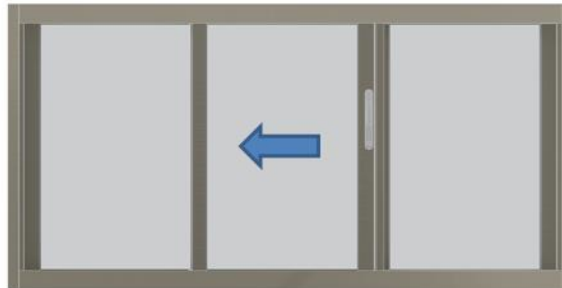
The system is capable of glazing 16 and 18mm double glazed panels and is able to achieve numerous configurations when integrated with the 325 Series fixed panels.



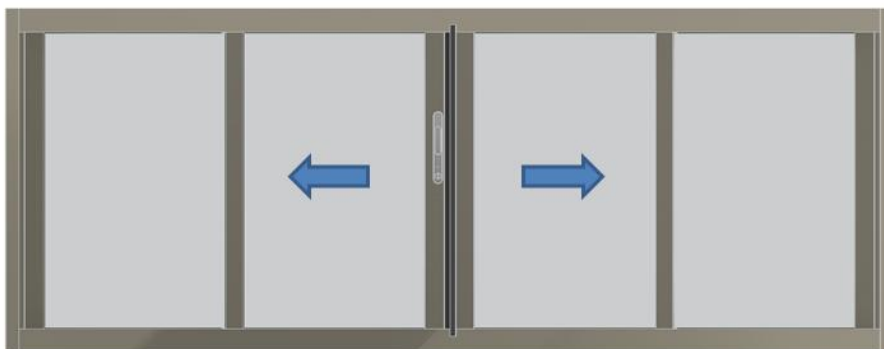
**Configurations**



XO, OX, XX



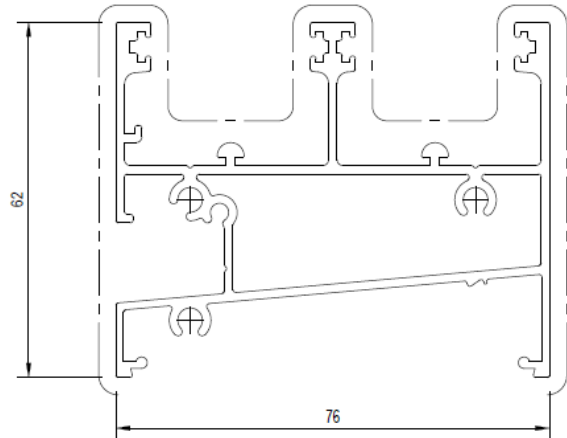
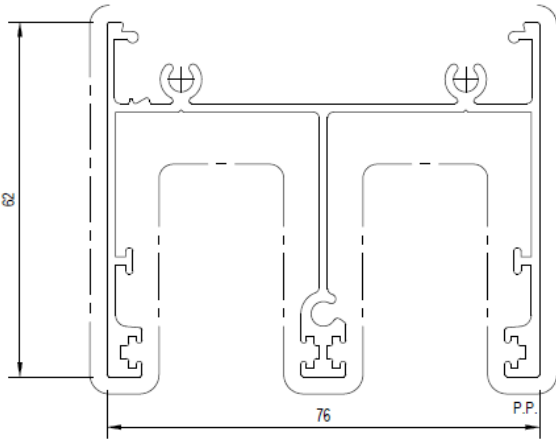
OXO, XOX



OXXO

The following pages outline the new dedicated extrusions and components produced for the new Urban Plus 384 Sliding Window. For full details of all extrusions and components used in this product, please refer to the Technical Manual.

**New Extrusions**



**EP16423**

HEAD

Paint Perimeter: 481mm

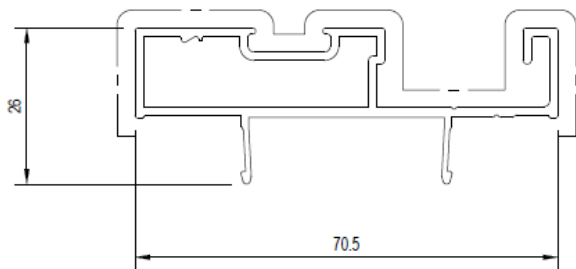
Anodised Perimeter: 658mm

**EP16424**

SILL

Paint Perimeter: 486mm

Anodised Perimeter: 614mm

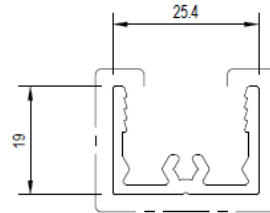


**EP16422**

JAMB ADAPTOR (325)

Paint Perimeter: 182mm

Anodised Perimeter: 273mm

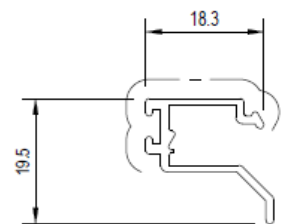


**EP16420**

RAIL

Paint Perimeter: 100mm

Anodised Perimeter:  
148mm

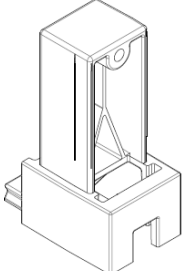

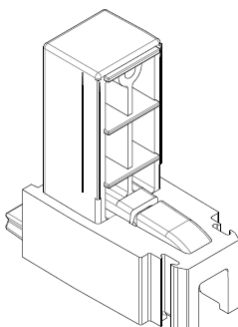
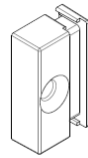
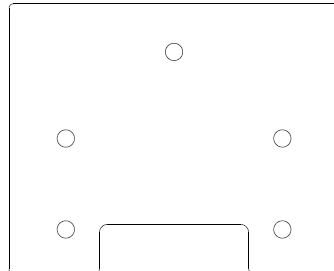
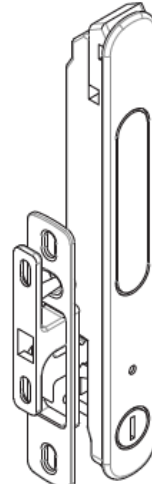


**EP16421**

SCREEN

POCKET INSERT

Paint Perimeter: 100mm  
Anodised Perimeter:  
122mm

New Components	
 <p><b>319584</b>          SMALL CORNER BLOCK          PACK 100          (SPD04127)</p>	 <p><b>319585</b>          30kg ROLLER          PACK 100          (SPD04330)</p>
 <p><b>319583</b>          LARGE CORNER BLOCK          PACK 100          (SPD04126)</p>	 <p><b>319587</b>          INTERLOCK FILLER BLOCK          PACK 100          (SPD04318)</p>
 <p><b>319586</b>          FRAME GASKET          PACK 100          (SPD04309)</p>	 <p><b>320797 – Black</b>  <b>320798 – White</b>  <b>320799 - Silver</b>          MORTICE LOCK          EACH          (SPD03961)</p>

### **Target Fabricators**

The Urban Plus 384 Sliding Window is targeted at fabricators wanting to offer an architectural styled sliding window or in those regions where double glazing is prevalent.

As it has dedicated double glazed extrusions, it is a great alternative to the Urban 580 Sliding Window when used in areas where double glazing is common. The dedicated double glazed elements make this window quicker and easier to manufacture than the Urban 580 which requires adaptors for double glazing.

Due to the number of common extrusions and components, this product is ideally suited to fabricators that have Urban 584 tooling and currently make the Capral Urban 580 Sliding Window and Urban 584 Sliding Door.

### **Tooling**

There is NO designated 384 tool set as the product can be easily fabricated with drill jigs and a copy router. Alternatively it is ideally suited to Capral fabricators with an existing Urban 584 SD tooling set.

Urban 584 tooling crops the interlocks and machines one panel screw hole. Refer to section 10 in the Technical Manual.

### **Stock**

The full array of sections and components will be initially stocked in Campbellfield, Victoria. This will be reviewed periodically based on demand.

Due to using extrusions from other suites, some sections will be available throughout Australia.

### **Product Development**

Capral has plans for a stacking version and dedicated Single Glazed version, which are due for release in the 2<sup>nd</sup> quarter of 2019.

### **Technical Notes**

The product is now listed on the Capral website with the technical details including manual available to download:

<http://www.capral.com.au/384-sliding-window>

The product has been added to the AGS Windows wall chart, also available to download



<http://www.capral.com.au/extrusion-wall-charts>

Please contact your local Capral representative for further information.

Kind regards,

**Matthew Finnie**  
National Manager Residential Systems