

TRANSFORM YOUR MANUFACTURING LINE INTO AN ASSEMBLY LINE



FINISHED COMPONENT SERVICES BY

CAPRAL
ALUMINIUM

At Capral Aluminium, we have continued to work closely with our major customers to understand their fabrication requirements and develop an enhanced machining capability for the Transport, Marine and General Engineering markets. Our new state-of-the-art 7-axis robotic machining centre compliments and expands on our extensive value add capabilities. We can machine transport top and bottom rails, marquee beams, light poles, bus cant rails and main beams to name just a few.

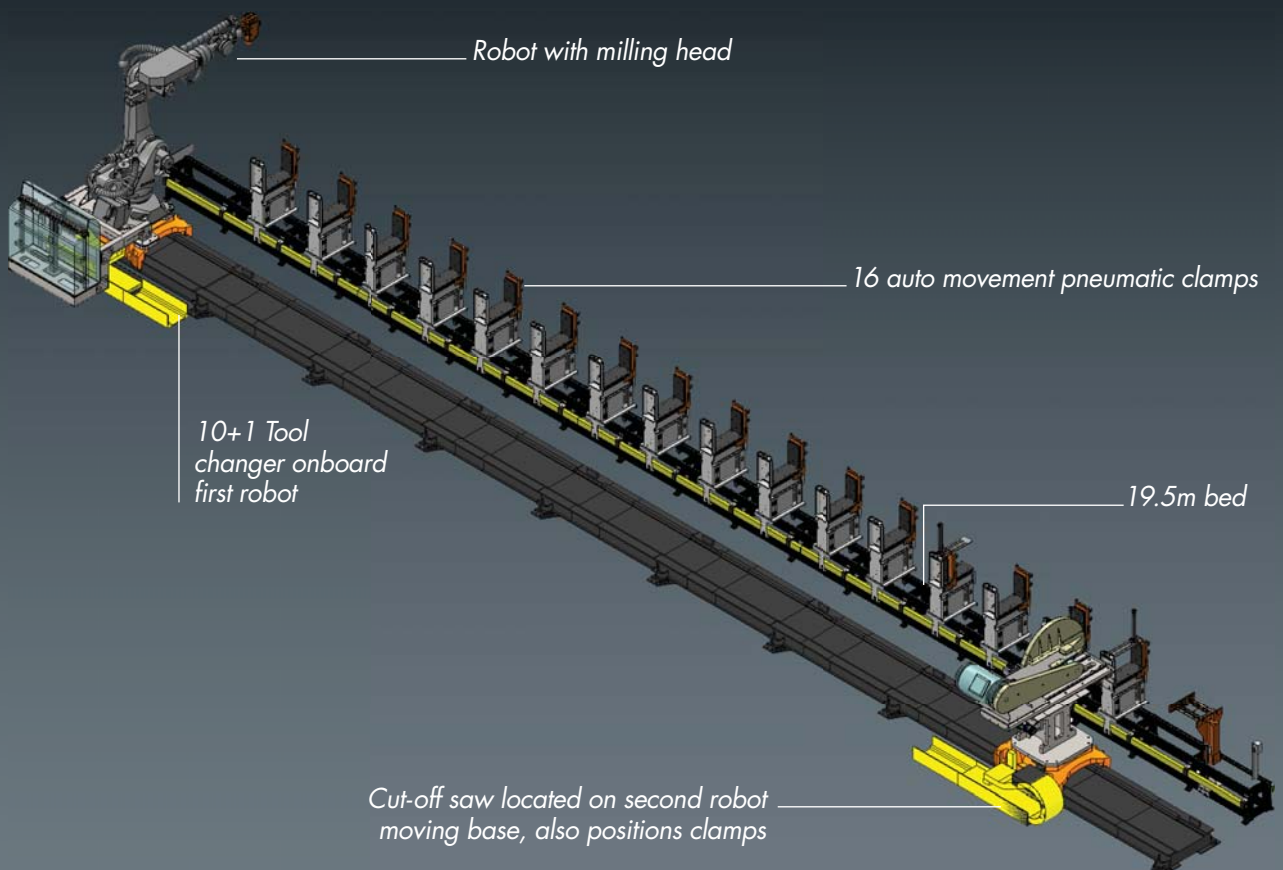
This robotic machining centre is a milling robot, mounted on carriage that moves along a 19.5m track. It is designed to machine aluminium profiles of lengths up to 17m, with the clamping aperture accommodating profile sections of 450mm (W) by 350mm (H).

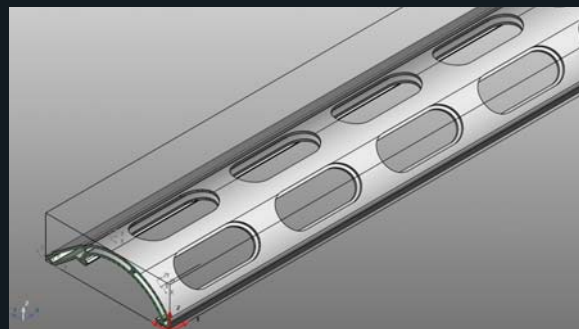
A 10+1 position tool changer is carried at the rear of the robot, moving up and down the track as the system itself moves. A second carriage is mounted on the robot bed containing a cut-off saw that can cut profiles perpendicular to the bed into sections. This carries the clamp movement peripherals and is the physical clamp repositioning device. The saw carriage also has a read head onboard for locating clamps on the track prior to movement.

Major components of the machine are:

- Clamping bed
- Robot track and two robot carriages
- Cut-off saw
- Robotic manipulator
- Milling Head
- Offline programming control panel for CAD/CAM design
- Online robotic control pendant

For sales enquiries and support of the new Robotic Machining Centre, please contact Capral Aluminium on **1300 361 877** or visit www.capral.com.au.







Value Add Capabilities

Capral is Australia's largest manufacturer of aluminium extrusions and has an extensive network of added value facilities designed to meet the needs of our customers. These facilities not only provide aluminium extrusions but provide our customers with a more streamlined means to a final product and are supported by experienced trained staff.

- Cut back saw
- Slotting
- Drilling
- Punching
- Knurling
- De-burring
- 3 Axis CNC Plate router
- 3 and 4 Axis CNC
- 7 Axis Robotic Machining Centre for product fabrication up to 17m
- Small cut pieces
- Precision cutting
- Compound cutting
- Mitre cutting
- Sheet/Plate cutting
- Sheet/Plate bending
- Complete manufactured pieces
- Weather pile installation
- Powder coating and anodising
- Adhesive tape applied to critical extrusions
- Cold drawing
- Customer specific packaging

Manufacturing, Value Add and Sales Facilities

NSW/ACT

46 Munibung Road
Cardiff NSW 2285
Sales: 02 4902 4010

C1, 1 Erskine Park Road
Erskine Park NSW 2759
Sales: 1300 361 877

2115 Castlereagh Road
Penrith NSW 2750
Sales: 02 4720 5410

432 West Botany Street
Rockdale NSW 2216
Sales: 02 9597 1177

VIC

151 Barry Road,
Campbellfield VIC 3061
Sales: 03 9464 4599

Unit 3,
38-40 Little Boundary Rd
Laverton North VIC 3026
Sales: 03 9315 3781

1a Chapel Street
Lynbrook VIC 3975
Sales: 03 9590 2360

TAS

Hobart
116 Grove Road
Glenorchy TAS 7010
Sales: 03 6273 2161

SA

Adelaide
70 Grand Junction Road
Kilburn SA 5084
Sales: 08 8162 7500

Stockwell and
Crennis Mines Roads
Angaston SA 5353
Sales: 03 9590 2301

QLD (North)

293 Little Spence Street
Cairns QLD 4870
Sales: 07 4035 4377

Mackay
17-19 John Vella Drive
Paget QLD 4740
Sales: 07 4952 3371

Townsville
303 Woolcock Street
Garbutt QLD 4814
Sales: 07 4724 6100

QLD (South)

Brisbane
71 Ashburn Road
Bundamba QLD 4304
Sales: 07 3816 7340

Gold Coast
2 Rothcote Court
Burleigh Heads QLD 4220
Sales: 07 5593 7790

17 Kerryl Street
Kunda Park QLD 4556
Sales: 07 5445 1522

67 Parramatta Road
Slacks Creek QLD 4127
Sales: 07 3290 9400

NT

Darwin
8 Mataram Street
Winnellie NT 0820
Sales: 08 8984 4211

WA

Perth
6 Wellard Street
Bibra Lake WA 6163
Sales: 08 6499 1200

45-55 Baile Road
Canning Vale WA 6155
Sales: 08 9456 6616

17 Inspiration Drive
Wangara WA 6065
Sales: 08 9302 8560

Unit 3, 16-18 Kewdale Road
Welshpool WA 6106
Sales: 08 9356 7811