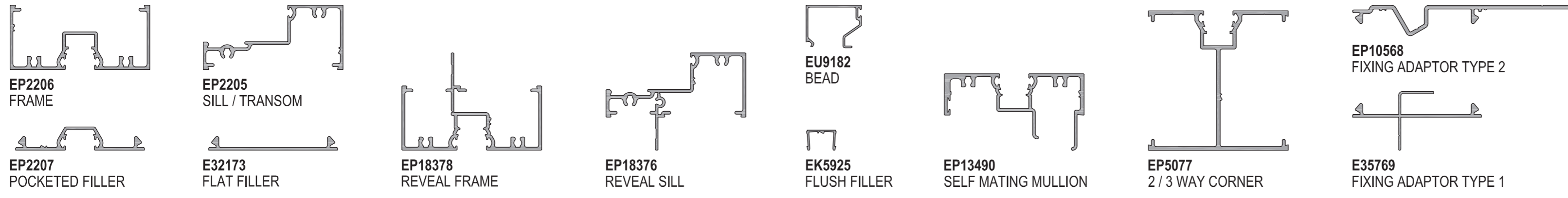
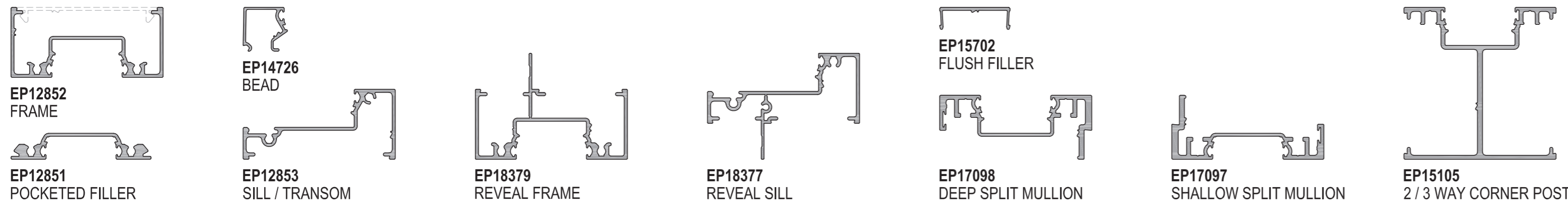


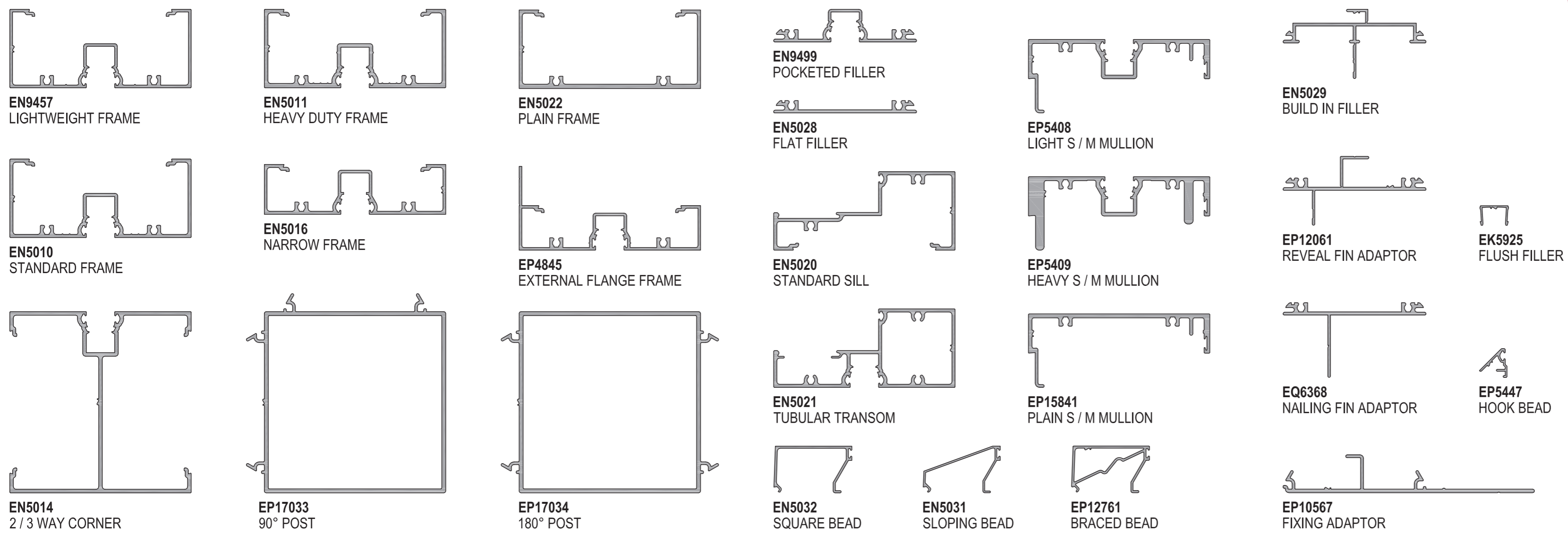
## 300 Narrowline 76 x 35mm single glazed frame



## 325 Narrowline 76 x 35mm double glazed frame

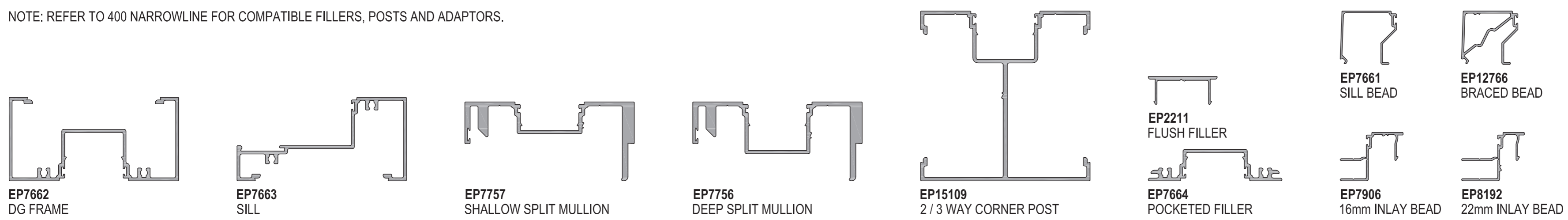


## 400 Narrowline 101.6 x 44mm single glazed frame



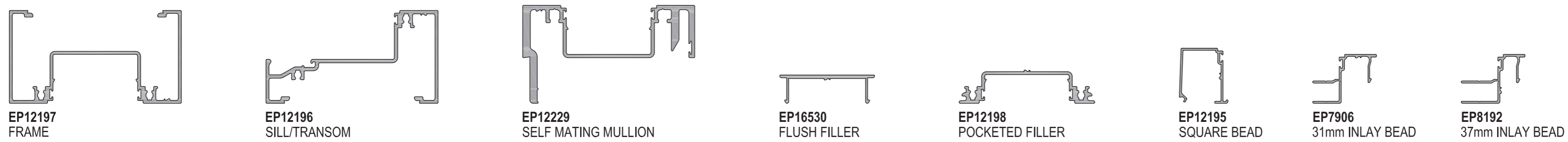
## 425 Narrowline 101.6 x 50mm double glazed frame

NOTE: REFER TO 400 NARROWLINE FOR COMPATIBLE FILLERS, POSTS AND ADAPTORS.

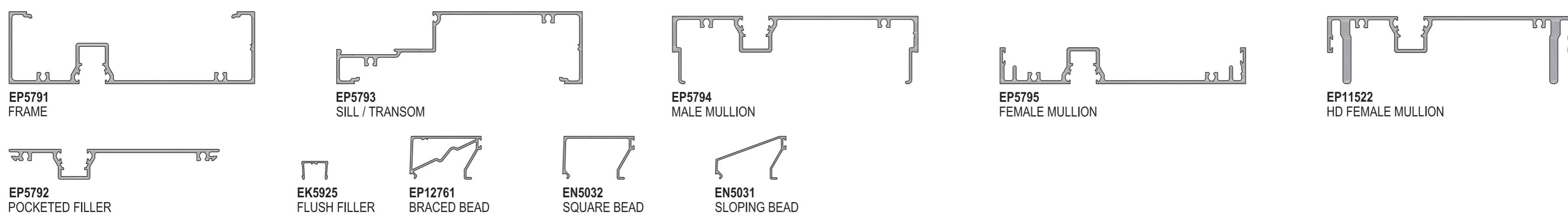


## 450 Narrowline 101.6 x 55mm wide pocket double glazed frame

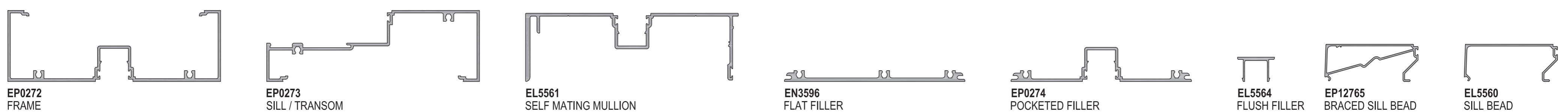
NOTE: REFER TO 400 NARROWLINE FOR COMPATIBLE FILLERS, POSTS AND ADAPTORS.



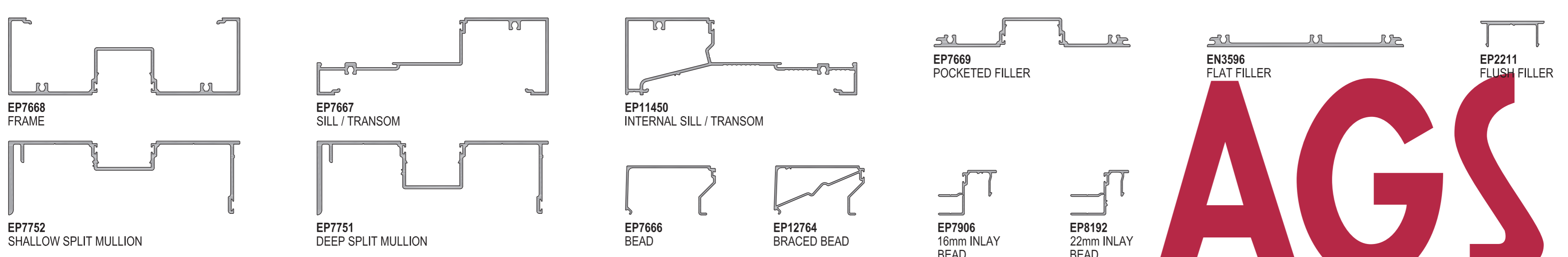
## 601 Narrowline 150 x 44mm offset single glazed frame



## 600 Narrowline 150 x 50mm single glazed frame



## 625 Narrowline 150 x 50mm double glazed frame



AGS  
narrowline

**AGS**

ARCHITECTURAL GLAZING SYSTEMS

Scale: 1:2 at A1 or 1:4 at A3

Note: Not all sections pictured are stocked. R210701

Copyright © 2021 Capral Aluminium Limited. All rights reserved. [www.capral.com.au](http://www.capral.com.au)

**CAPRAL**  
ALUMINIUM