

PRODUCT BULLETIN No. 191
NEW Urban 580 Sliding Window Double Glazed Sections
Commercial Residential

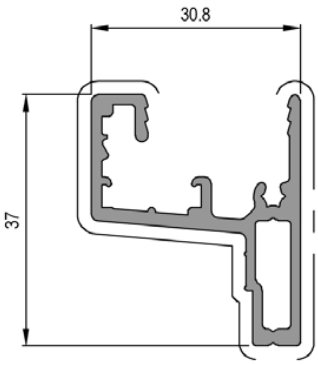
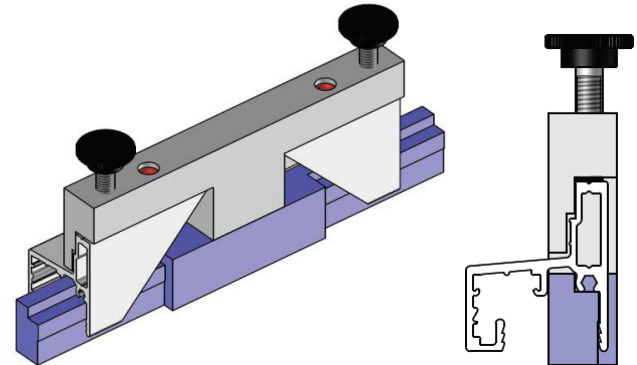
Capral is pleased to introduce A NEW Double Glazing Adaptor will be introduced to the Capral 580, 480 and 380 sliding window systems. Its design application is for both the DG Sash and the DG Fixed Light applications. The new DOUBLE GLAZING ADAPTOR (EP16768) has been designed to aid speed in fabrication, allow stronger and neater corner sealing and to rationalise stock.

This extrusion can also be used for RETRO glazing existing Single Glazed windows and provides the opportunity for Capral fabricators to target their previous customer with the benefit of Doubled Glazing their windows without replacing the entire window. This can also be used in the some of competitors sections, allowing fabricators to offer this reglazing service to their broader local market.

The following sections will be removed from Capral's offer

- EP11294 - 580 SW - DG RAIL
- EP11293 - 580 SW - SASH DG ADAPTOR
- EP11317 - 580 SW - F/LIGHT DG ADAPTOR

To aid the fabrication Capral will be selling a drill jig, which holds the section and provides easy drilling for the fixing screws.

	
<p>Extrusion Number: EP16768</p> <p>Description: DG ADAPTOR</p> <p>Paint Perimeter: 145mm</p> <p>Anodised Perimeter: 217mm</p>	<p>Material Number: 90823</p> <p>Description: 580 DG Adaptor Drill Jig</p> <p>Sell Price: \$215 (ex GST)</p>

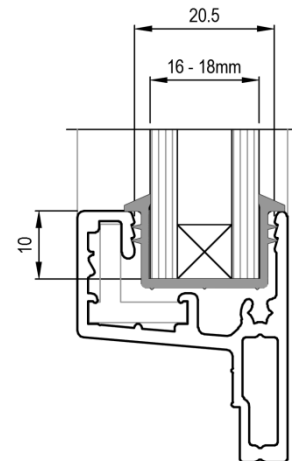
There will be a transition period, with the “old” section being run out across the country. The new section will be replenished into the current stocking locations.

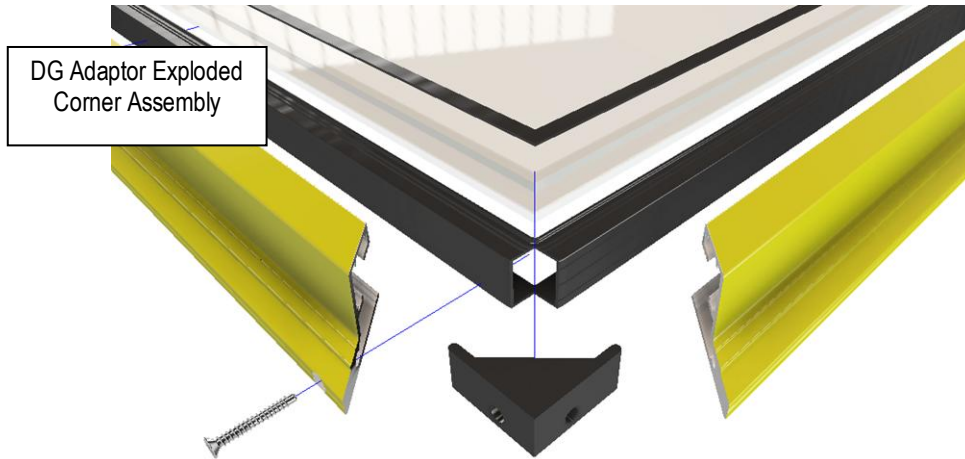
Please review the below illustrations show where and how the section works

- Fabrication requires mitre cutting the extrusion ends, plus drill and countersinking one hole (per corner) to suit a 6g screw



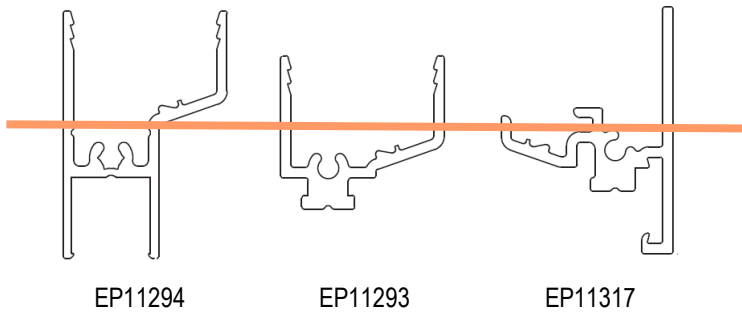
IGU size	Glazing Channel
16mm	301261
18mm	300610



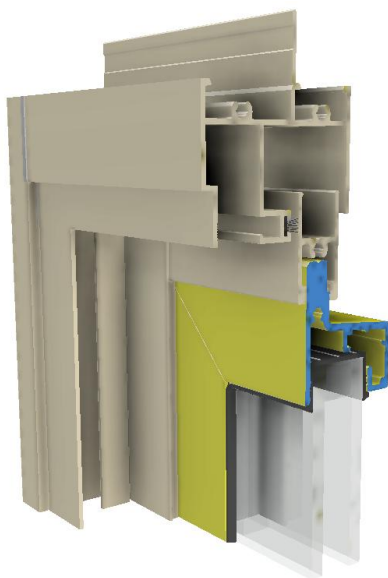


Assemble Adaptor around glass with glazing channel, aligning each joint with corner stake 300243 and secure with a 6g x 45mm countersunk stainless steel screw 309152.

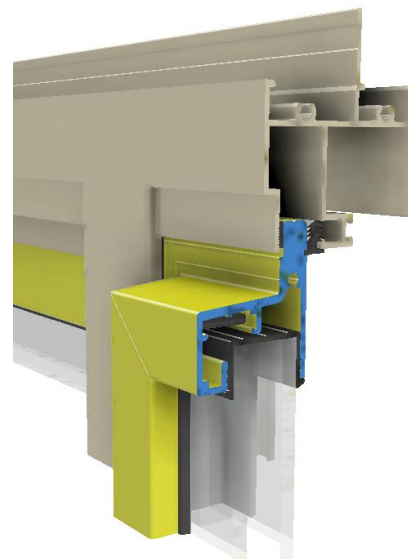
The new double glazed adaptor will replace the superseded/old DG Adaptor extrusions...



The stiffer profile is designed to reduce splay in corner joints and to fit neatly into fixed light and sash positions.

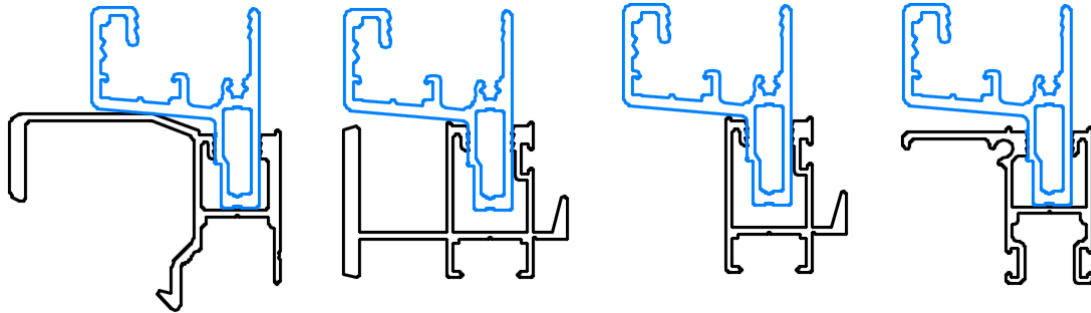


Section through DG sash panel within perimeter frame.



Section through Adaptor DG panel installed as a fixed light.

There are several mating profiles which will vary in overlap engagement due to their different shapes. Formulas for each option will be defined in the technical manual and associated listing software.

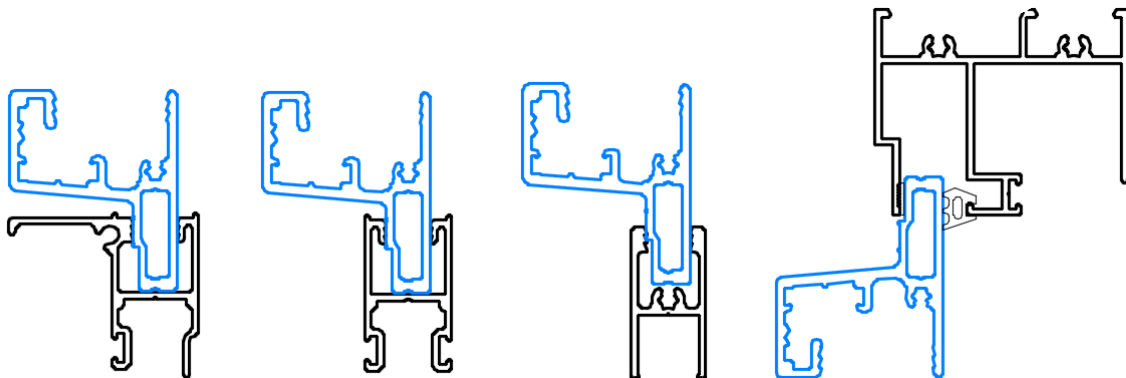


EQ6362
 HD meeting Stile*

EP2727
 HD Interlock

EP2729
 STD Interlock

EP4904
 Lock Stile*

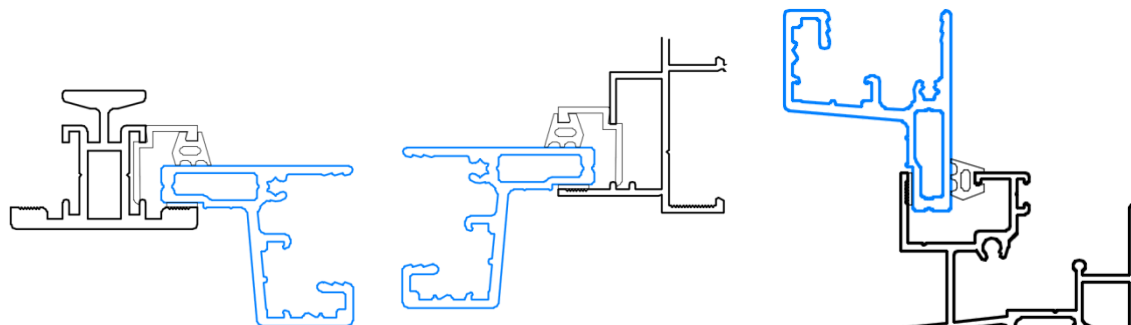


EQ6361
 Meeting Stile*

EP13064
 Latchless Stile*

EU6583
 SG Rail*

Head / Transom + Wedge



Mullion + Bead & Wedge

Jamb + Bead & Wedge

Sill / Transom + Wedge

*Corner countersink fixings are essential where a pan head interferes with the mating extrusion

Technical Documentation and Software Support

This section is now available to be viewed with detail fabrication drawings in the Capral Technical Manuals, available to download from the Capral website

<http://www.capral.com.au/Technical-Manuals>

This material will be added into our software packages in the near future.

Please contact your local Capral representative for further information.

Kind regards



Matthew Finnie

National Manager Residential Systems