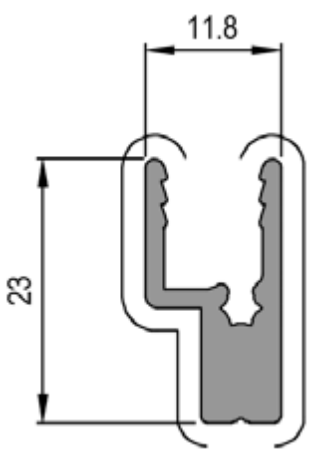
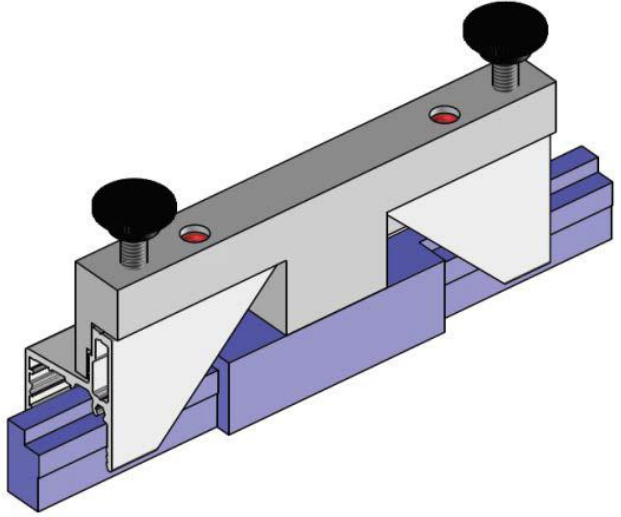


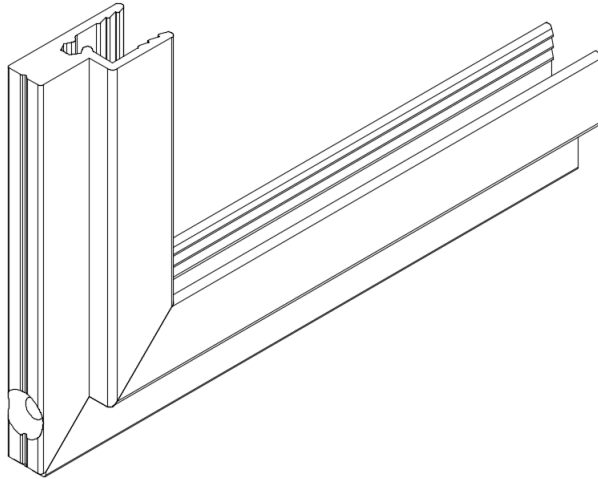
PRODUCT BULLETIN No. 194
NEW Urban 580 Sliding Window Single Glazed Adaptor
Commercial Residential

Capral is pleased to introduce a NEW extrusion as an option for use as single glazing Pre-Framed panels into fixed lights. It is intended to provide easier handling & installation on-site in comparison to an unframed pane of glass. This section can be used in the 380SW, 480SW and the Urban 580 Sliding windows. EP16769, Urban 580SW Single Glazed Adaptor also makes both sliding sash and fixed light to have the same glass size. And aesthetically provides an much more equal feel to the window

To aid fabrication Capral will be selling a drill jig, which holds the section and provides easy drilling for the fixing screws.

	
<p>Extrusion Number: EP16769 Description: SG ADAPTOR Paint Perimeter: 100mm Anodised Perimeter: 100mm</p>	<p>Material Number : 90822 Description: 580 SG Adaptor Drill Jig Sell Price \$225. (ex GST)</p>

Please review the below illustrations show where and how the section works

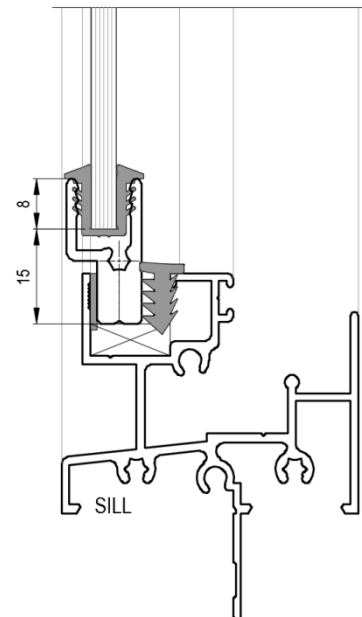


Corner is fixed using 309975 - 6g x 32mm countersunk stainless steel screw

The single glazed sash can continue to be glazed as per usual.

This **NEW** extrusion profile is designed to match the current glazing channels. Mitre cut ends will provide a neat frame corner joint and allow a tape seal strip to run around the entire edge. A 6g countersink head screw is needed to hold the corner together without causing interference. The stepped outer edge improves clearances for fitting the PVC Bead when installing into the perimeter frame.

Glass Size	Channel
3mm	300049
4mm	300050
5mm	300051
6mm	300052





Technical Documentation and Software Support

This section is now available to be viewed with detail fabrication drawings in the Capral Technical Manuals, available to download from the Capral website

<http://www.capral.com.au/Technical-Manuals>

This material will be added into our software packages in the near future.

Please contact your local Capral representative for further information.

Kind regards

Matthew Finnie

National Manager Residential Systems