

PRODUCT BULLETIN No. 196

Elegance Soft Close Addition

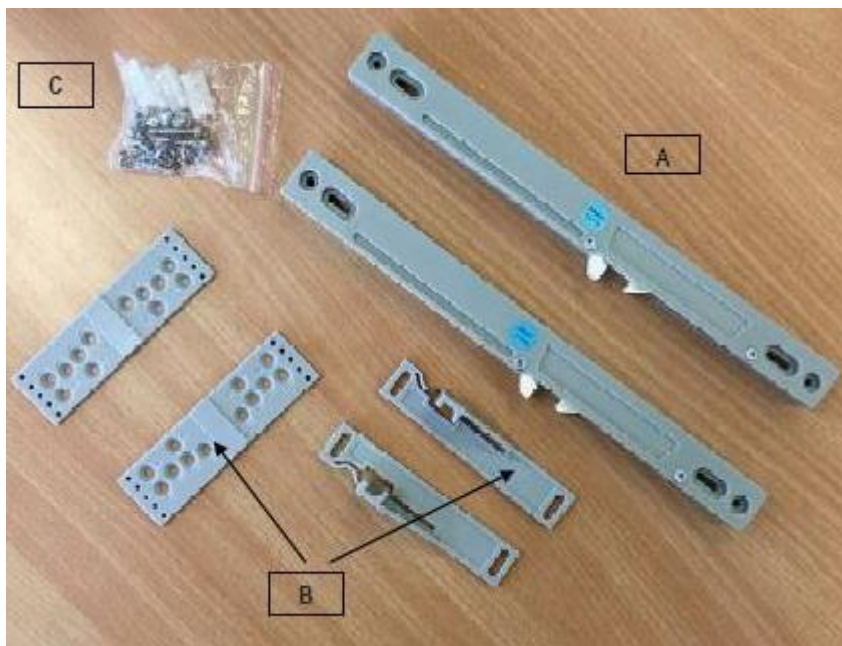
Wardrobe

Capral is pleased to introduce the Elegance Soft Close. This component when fitted to the Elegance Wardrobe provides an Anti Slam feature to the system.

The Elegance Soft Close, when fitted is concealed in the top track while the catches locate unobtrusively to the top of the door. When the doors are closed their travel is slowed to almost a halt and then pulled closed to complete a smooth, silent and soft-closing operation.



Material Number: 320317
Description: Elegance Wardrobe Soft Close LH&RH Pair
UOM: Pair
Stocking Locations: Erskine Park



As illustrated the kit comes with the following:

- A. 2 x Non Handed Dampener**
- B. 2 x Handed Soft Close Catch & Jigs**
- C. 1 x Bag of screws**

Due to the fitment, this will not fit work in the Adrol or Magic Touch Robe systems

Cutting Formulas:

Due to the mounting position of the dampener, additional set of cutting formulas are required for plasterboard, panel and mirror panel for all configurations. Table 1 below is the additional formulas required.

Descriptions			Cutting Formula
Panel Plasterboard/Panel/Mirror)	Stiles (EP12079	-	H - 44
Panel Height (Channel Glazed)			H - 69
Plasterboard Height			H - 53
Mirror Height			H - 47

Notes: Horizontal cutting formulas remain unchanged.

Please see additional fitment and assembly information attached to this email

Technical Notes

Technical Manuals and Software systems will be updated in the near future.

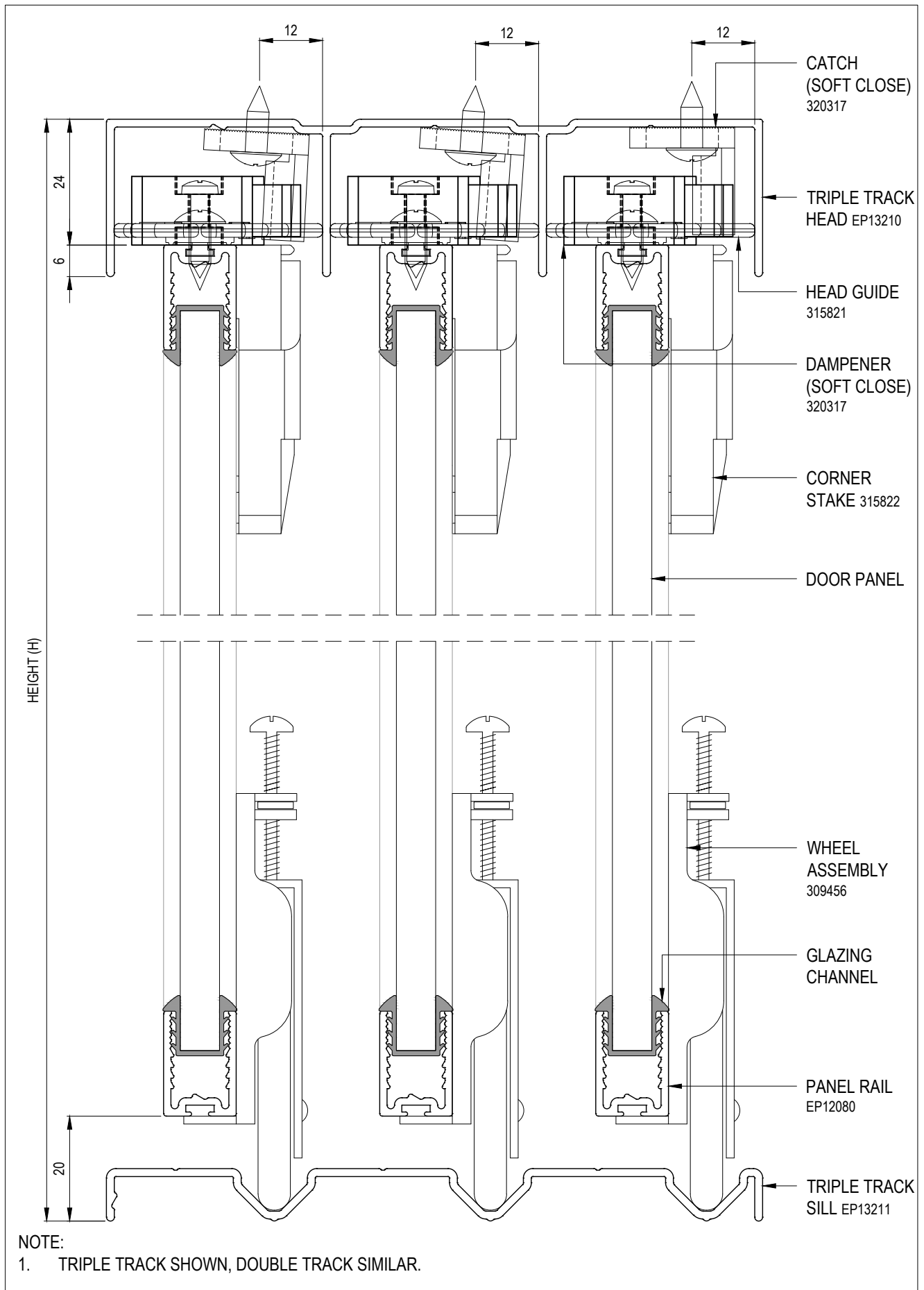
Please contact your local Capral representative for further information.

Kind regards

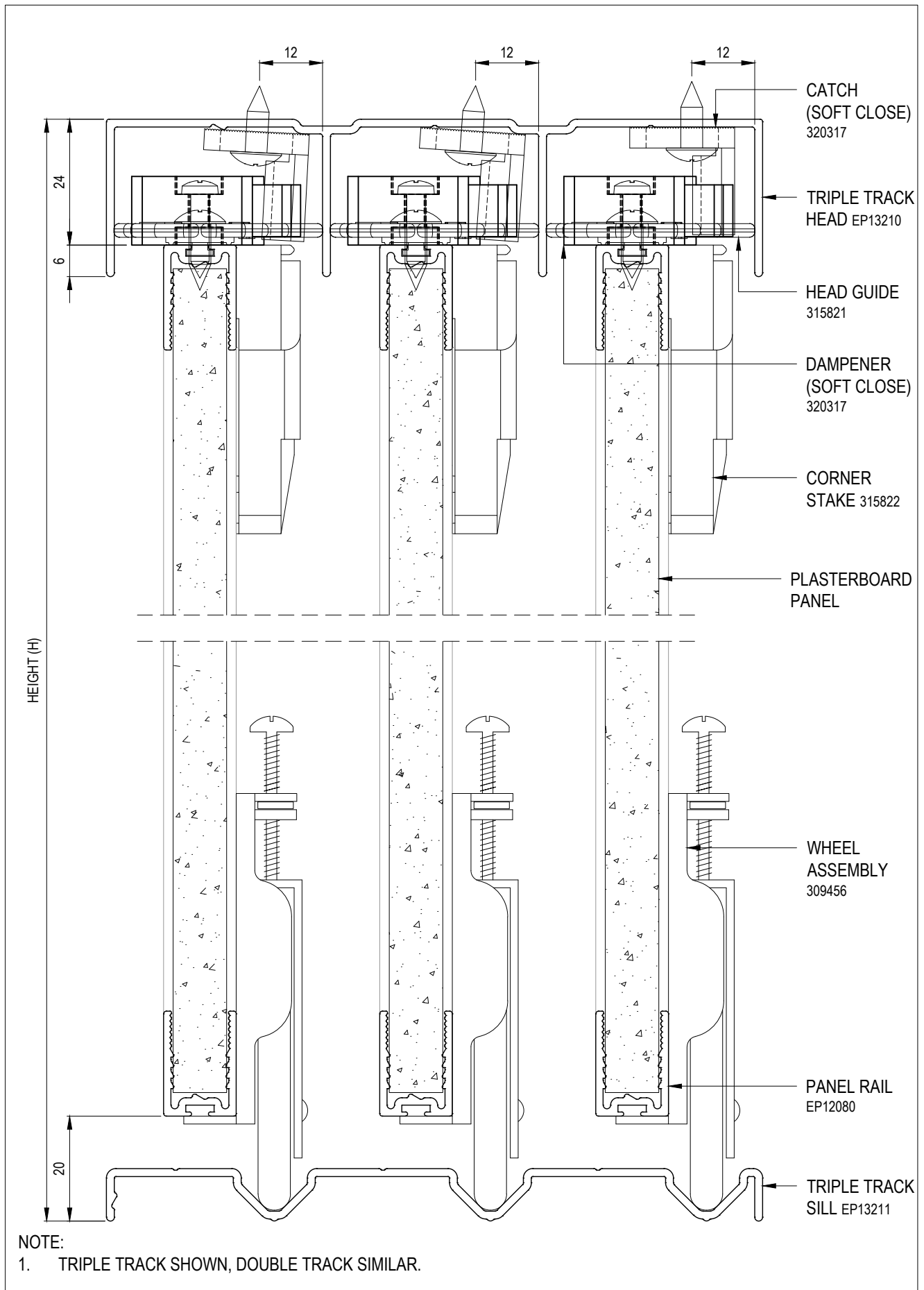
Matthew Finnie

National Manager Residential Systems

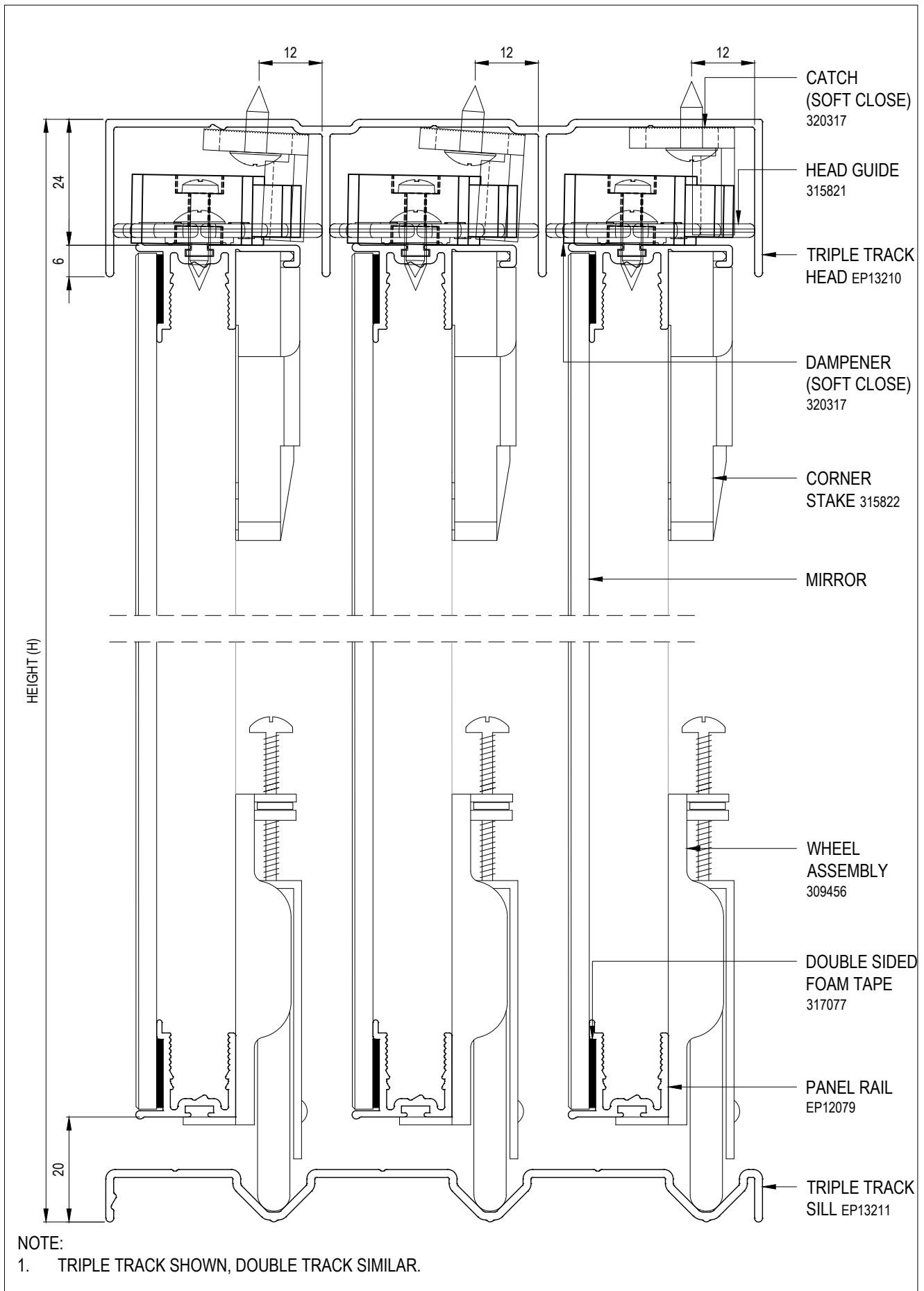
VERTICAL ARRANGEMENT - PANELED SLIDING PANEL



VERTICAL ARRANGEMENT - PLASTERBOARD SLIDING PANEL



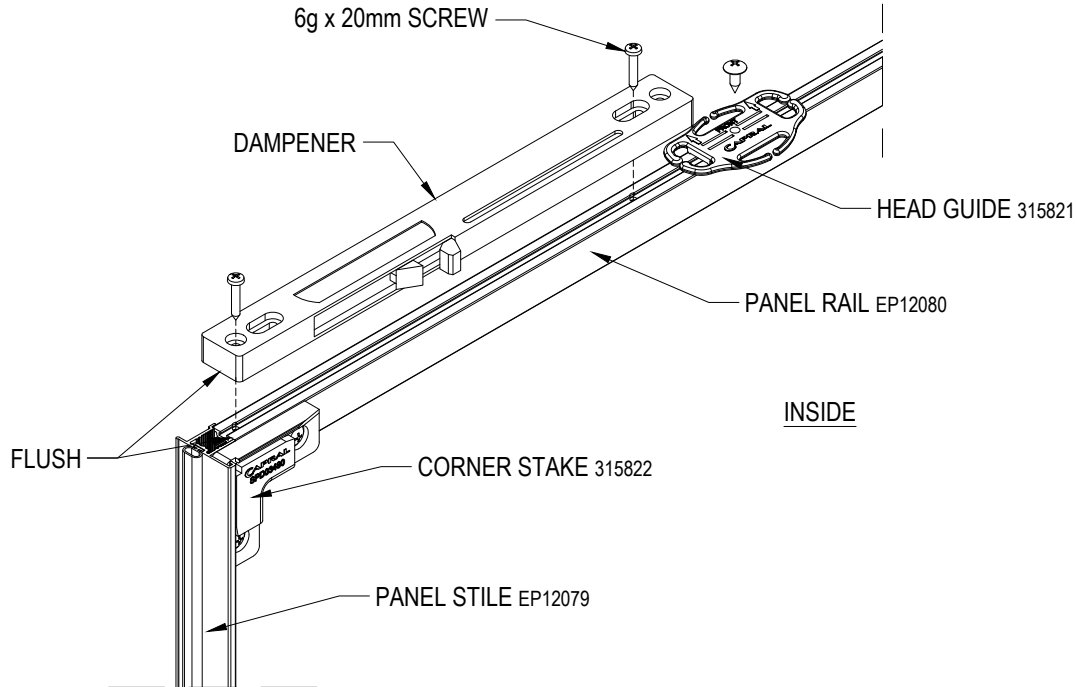
VERTICAL ARRANGEMENT - MIRROR SLIDING PANEL



ASSEMBLY - PLASTERBOARD/PANELED SLIDING PANEL

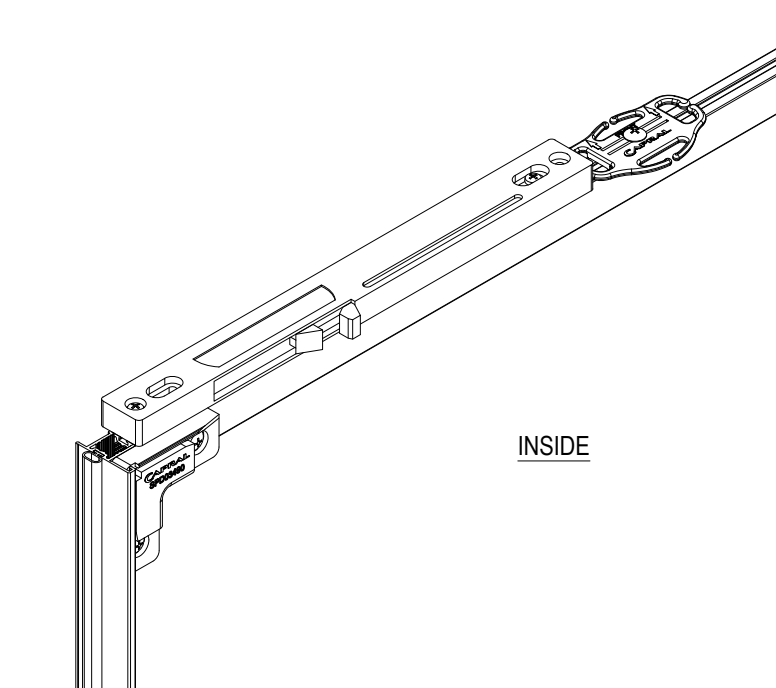
STEP 1:

ASSEMBLE THE PANEL DOOR AS PER ELEGANCE WARDROBE TECHNICAL MANUAL. LEAVE THE HEAD GUIDE (315821) LOOSE TO SECURE LATER. SLIDE THE HEAD GUIDE AWAY FROM THE STILE TO LEAVE ENOUGH SPACE FOR THE DAMPENER.



STEP 2:

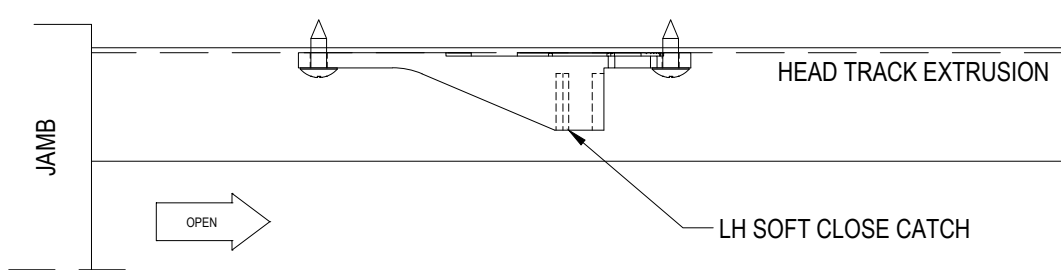
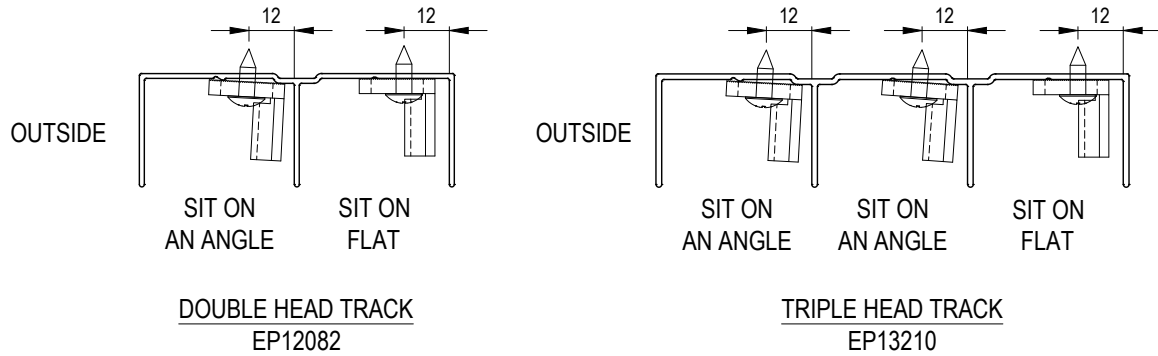
SECURE THE DAMPENER WITH 6g FIXINGS (REFER TO MACHINING PAGE FOR SCREW LOCATIONS) AND THE DAMPENER SHOULD SIT FLUSH WITH THE END FACE OF THE PANEL RAIL AND THE HEAD GUIDE SITS BEHIND THE DAMPENER AS SHOWN. REPEAT THIS STEP ON THE OPPOSITE END OF THE PANEL IF REQUIRED (FOR PERFECTLY SQUARE PANEL THAT IS ABLE TO CLOSE ON EITHER SIDE WITHOUT LEAVING A GAP ALONG THE JAMB).



ASSEMBLY - PLASTERBOARD/PANELED SLIDING PANEL

STEP 3:

SCREW FIX THE SOFT CLOSE CATCH ONTO THE HEAD EXTRUSION AS SHOWN. THE CATCH COMPONENT WILL BE SITTING ON AN ANGLE DUE TO THE EXTRUSION DESIGN. REPEAT THIS STEP ON THE OPPOSITE END OF THE HEAD EXTRUSION IF REQUIRED (FOR PERFECTLY SQUARE PANEL THAT IS ABLE TO CLOSE ON EITHER SIDE WITHOUT LEAVING A GAP ALONG THE JAMB).



VIEW FROM INSIDE
SLIDING PANEL NOT SHOWN FOR CLARITY
(PLASTERBOARD / PANEL SHOWN, MIRROR PANEL SIMILAR)

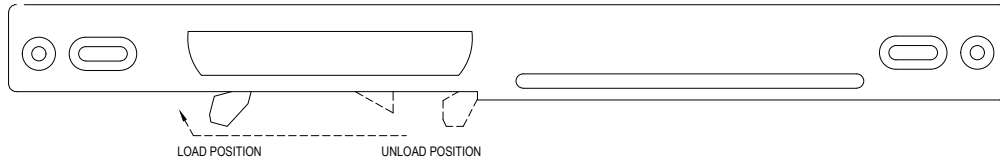
IMPORTANT:

1. SOFT CLOSE CATCH THAT FIXED ON AN ANGLE AS SHOWN ABOVE IS NOT AN ERROR. DO NOT FIX IT ON THE FLAT SURFACE UNLESS OTHERWISE BEING SPECIFIED.
2. FAIL TO FOLLOW NOTE 1 WILL CAUSE THE DAMPENER NOT WORKING CORRECTLY.
3. USE THE LH SOFT CLOSE CATCH COMPONENT FOR RH SLIDING PANEL (WHEN VIEW FROM OUTSIDE).
4. USE THE RH SOFT CLOSE CATCH COMPONENT FOR LH SLIDING PANEL (WHEN VIEW FROM OUTSIDE).

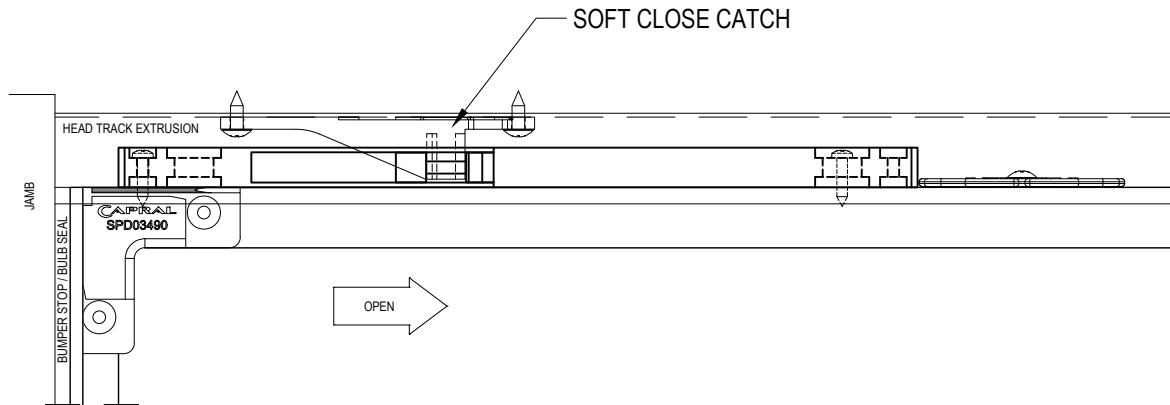
ASSEMBLY - PLASTERBOARD/PANELED SLIDING PANEL

STEP 4 (FINAL):

BEFORE INSTALL THE SLIDING PANELS ONTO THE TRACK, LOAD THE DAMPENER BY PUSHING THE CATCH ON THE DAMPENER FROM 'UNLOAD' TO 'LOAD' POSITION ON ALL PANELS IN PREPARATION FOR ENGAGEMENT WITH THE CATCHES AS SHOWN.



ONCE COMPLETED, INSTALL THE PANELS ONTO THE TRACKS, STARTING FROM THE INSIDE PANEL FIRST. PUSH THE PANEL SIDeways TOWARDS THE JAMB END TO ENGAGE WITH THE SOFT CLOSE CATCH ON THE HEAD TRACK EXTRUSION. OPEN AND CLOSE THE PANEL MULTIPLE TIMES TO ENSURE THEY ARE ENGAGING AND FUNCTIONING CORRECTLY, ADJUST THE PANEL HEIGHT AND THE SOFT CLOSE CATCH AS REQUIRED.

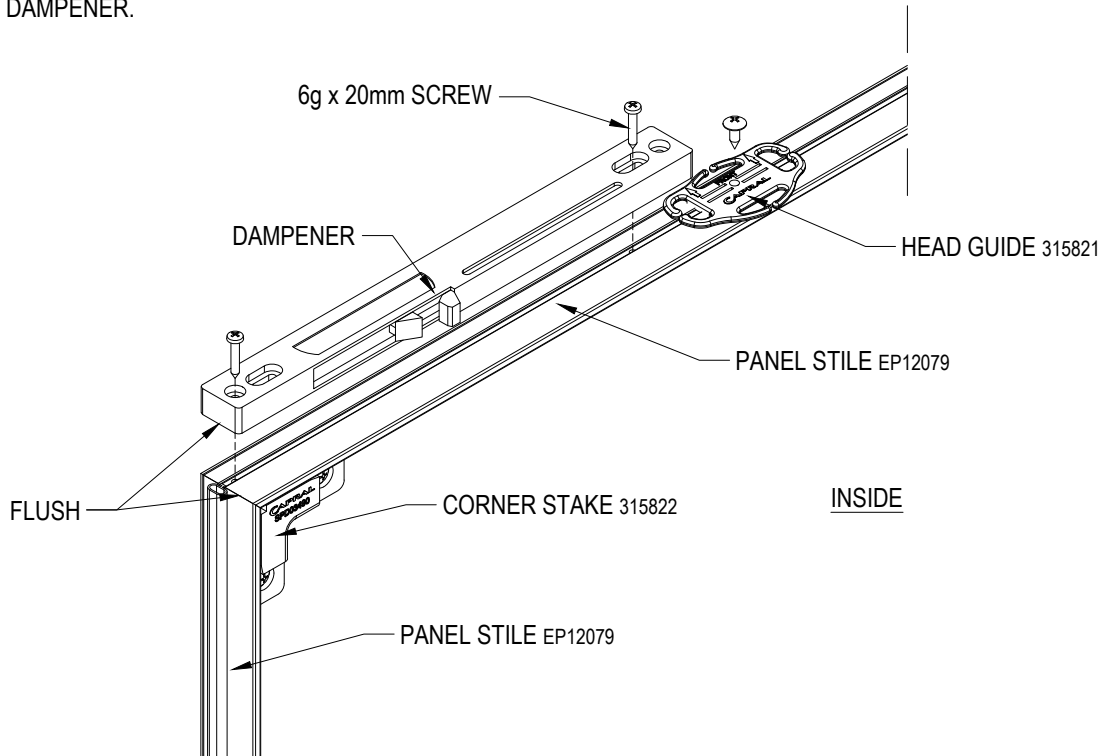


INSIDE VIEW
PANEL IN CLOSED POSITION
(PLASTERBOARD / PANEL SHOWN, MIRROR PANEL SIMILAR)

ASSEMBLY - MIRROR SLIDING PANEL

STEP 1:

ASSEMBLE THE MIRROR PANEL AS PER ELEGANCE WARDROBE TECHNICAL MANUAL. LEAVE THE HEAD GUIDE (315821) LOOSE TO SECURE LATER. SLIDE THE HEAD GUIDE AWAY FROM THE STILE TO LEAVE ENOUGH SPACE FOR THE DAMPENER.



STEP 2:

SECURE THE DAMPENER WITH 6g FIXINGS (REFER TO MACHINING PAGE FOR SCREW LOCATIONS), THE DAMPENER SHOULD SIT FLUSH WITH THE VERTICAL STILE EXTRUSION. THE HEAD GUIDE SITS BEHIND THE DAMPENER AS SHOWN. DUE TO THE PANEL STILE EXTRUSION DESIGN, THE DAMPENER WILL BE FIXED ON A SLIGHT ANGLE (DETAIL 'A'). REPEAT THIS STEP ON THE OPPOSITE END OF THE PANEL IF REQUIRED (FOR PERFECTLY SQUARE PANEL THAT IS ABLE TO CLOSE ON EITHER SIDE WITHOUT LEAVING A GAP ALONG THE JAMB).

FOR STEP 3 & 4, REFER TO PLASTERBOARD / PANEL ASSEMBLY PROCEDURES.

