

PRODUCT BULLETIN No. 201

Magic Touch Soft Close Addition

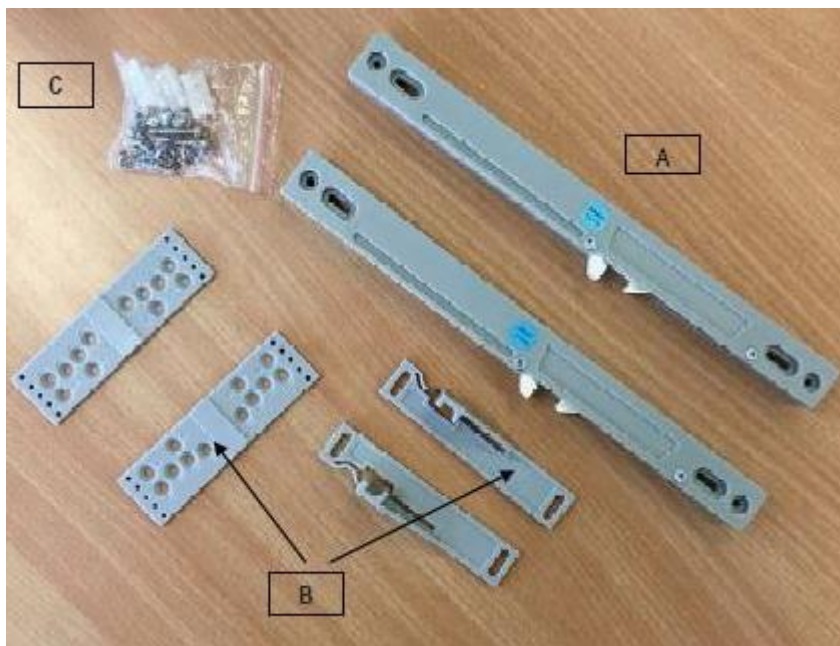
Wardrobe

Capral is pleased to introduce the Magic Touch Soft Close. This component when fitted to the Magic Touch Wardrobe provides an Anti Slam feature to the system.

The Soft Close, when fitted is concealed in the top track while the catch locates unobtrusively to the top of the door. When the doors are closed their travel is slowed to almost a halt and then pulled closed to complete a smooth, silent and soft-closing operation.



Material Number: 320317
Description: Elegance Wardrobe Soft Close LH&RH Pair
UOM: Pair
Stocking Locations: Erskine Park



As illustrated the kit comes with the following:

- A. 2 x Non Handed Dampener**
- B. 2 x Handed Soft Close Catch & Jigs**
- C. 1 x Bag of screws**

Cutting Formulas:

Due to the mounting position of the dampener, additional set of cutting formulas are required for plasterboard, panel and mirror panel for all configurations. These differ from the Elegance Robe formulas

Table 1 below is the additional formulas required.

Descriptions	Cutting Formula
Panel Stiles (ED7099) with. Sill (ED9854)	H - 41
Panel Stiles (ED7099) with Extended Sill (ED7836)	H - 57
Mirror/Plasterboard Height with Std. Sill (ED9854) [No Midrail]	H - 74
Mirror/Plasterboard Height with Extended Sill (ED7836) [No Midrail]	H - 90
Mirror/Plasterboard Height with Std. Sill (ED9854) [With Midrail]	PH – MH – 21 MH - 21
Mirror/Plasterboard Height with Extended Sill (ED7836) [With Midrail]	PH – MH – 21 MH - 21

Table 1: Additional Cutting Formulas

Notes: Horizontal cutting formulas remain unchanged.

Please see additional fitment and assembly information attached to this email

Technical Notes

Technical Manuals and Software systems will be updated in the near future.

Please contact your local Capral representative for further information.

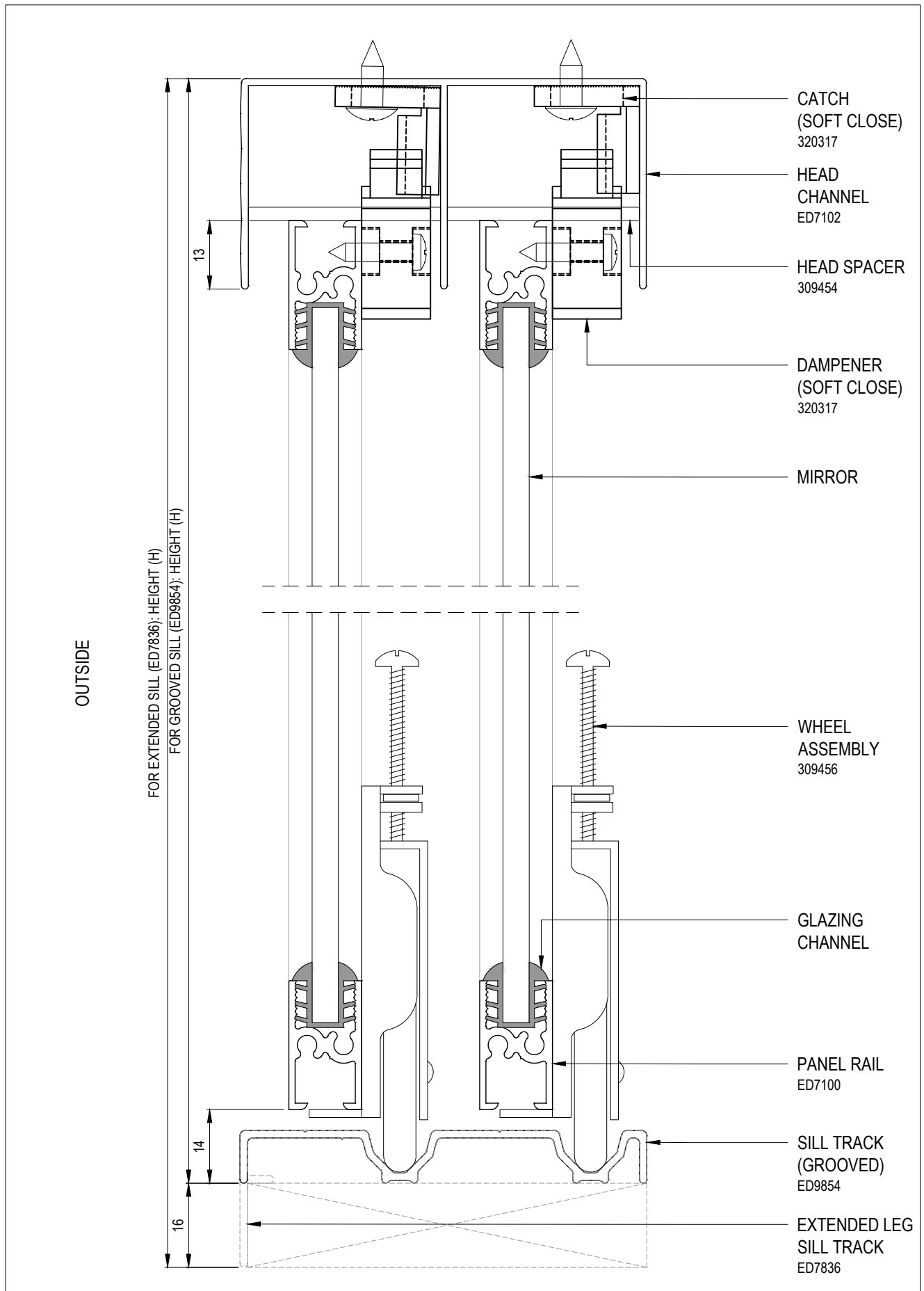
Kind regards



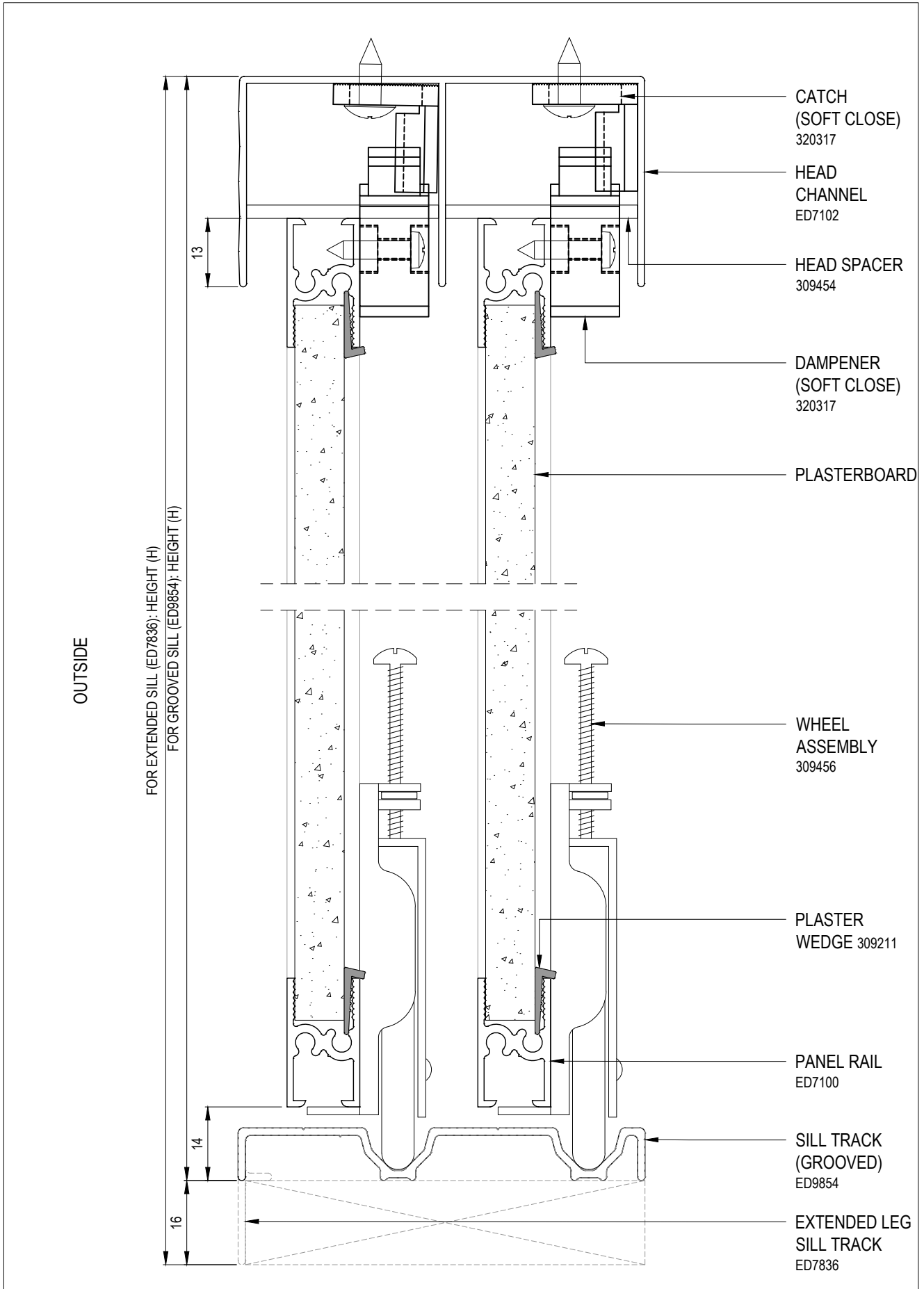
Matthew Finnie

National Manager Residential Systems

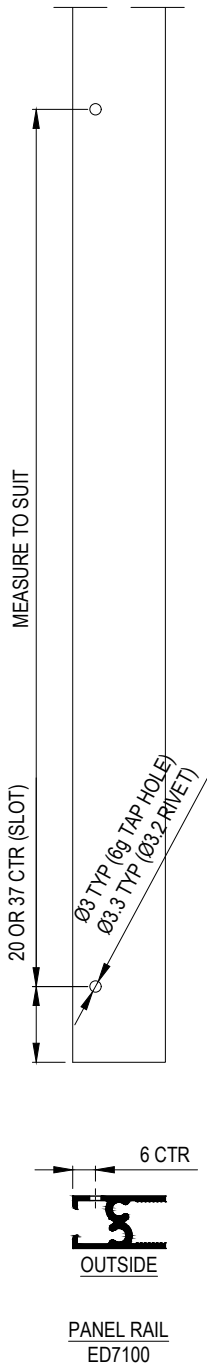
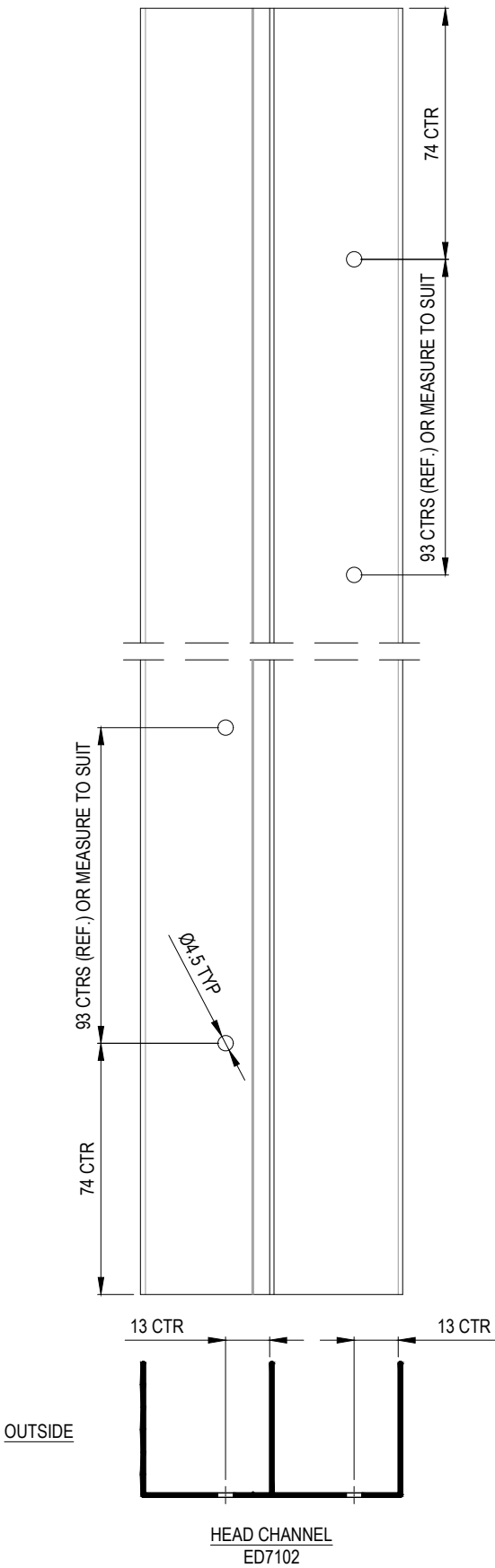
VERT. ARRANGEMENT - MIRROR PANEL (GROOVED & EXTENDED SILL)



VERT. ARRANGEMENT - PLASTERBOARD PANEL (GROOVED & EXTENDED SILL)

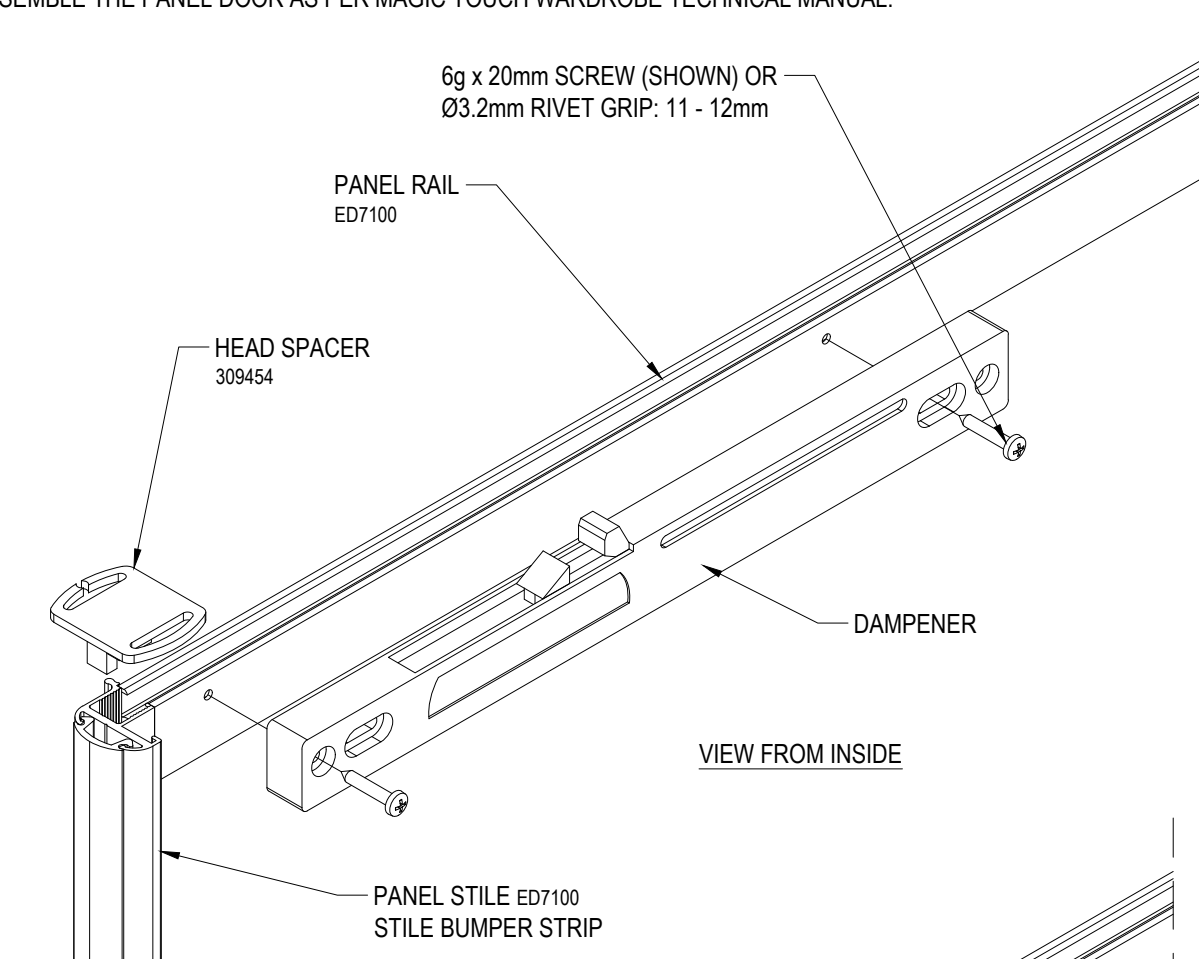


MACHINING - HEAD CHANNEL (ED7102) & PANEL RAIL (ED7100)

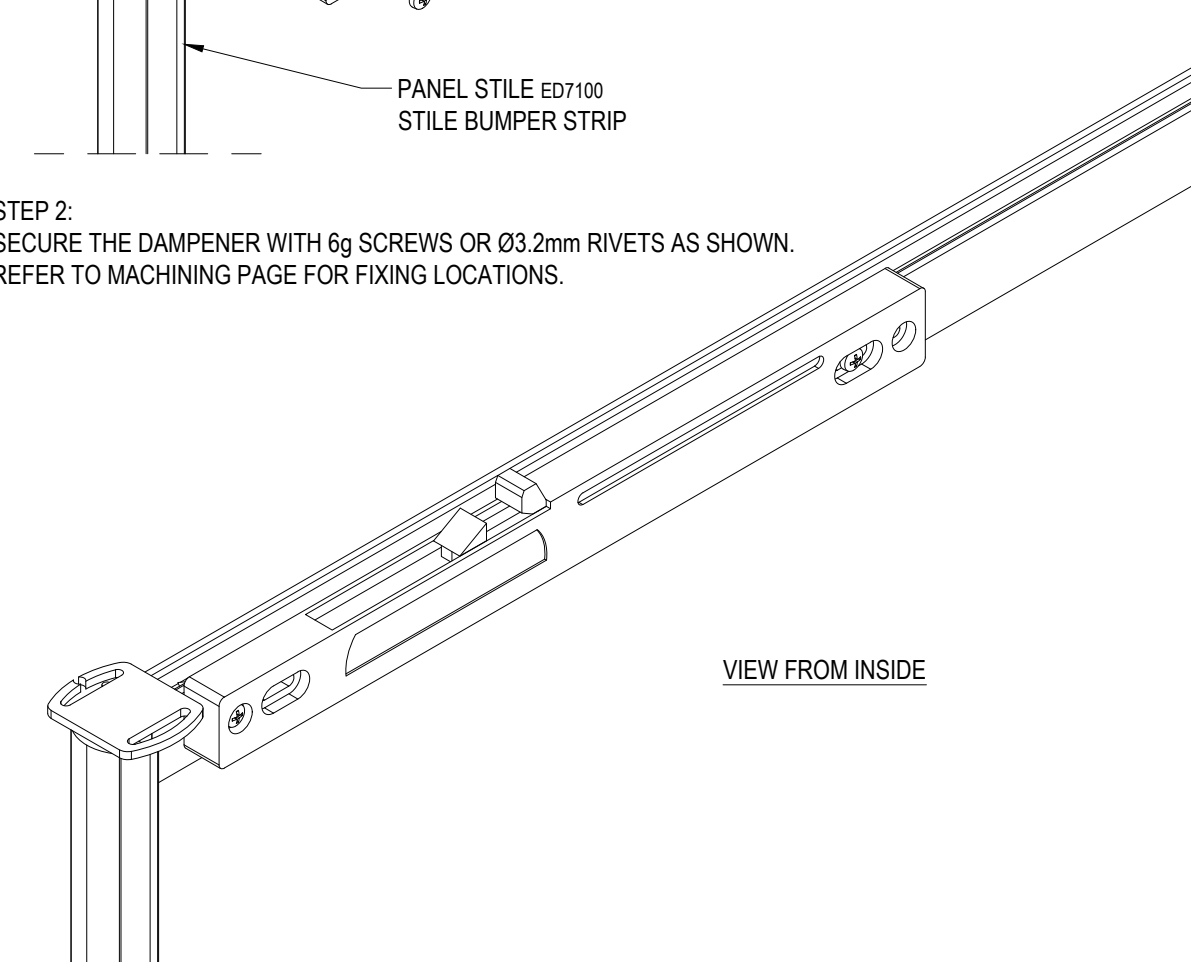


ASSEMBLY - DAMPENER & CATCH INSTALLATIONS

STEP 1:
ASSEMBLE THE PANEL DOOR AS PER MAGIC TOUCH WARDROBE TECHNICAL MANUAL.



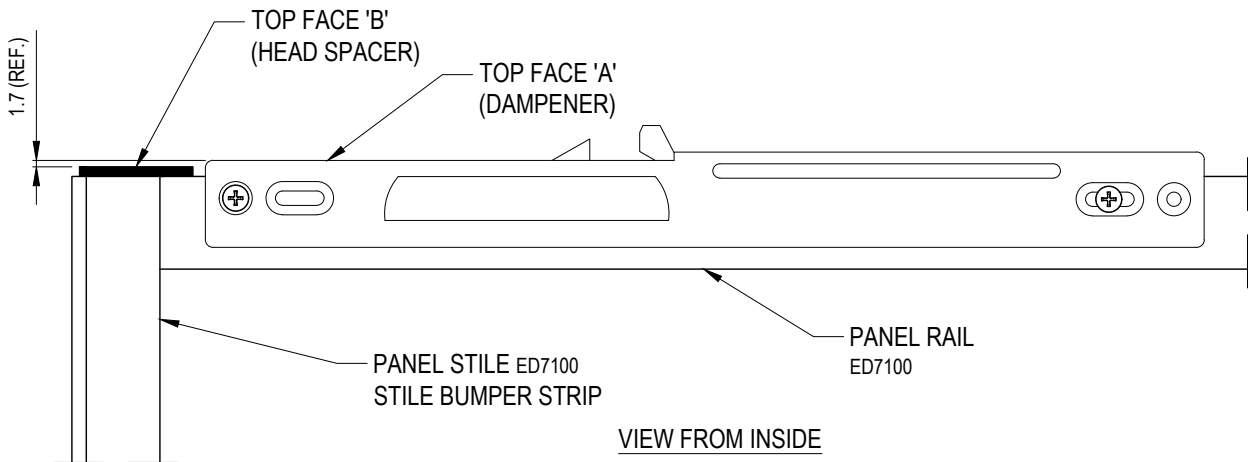
STEP 2:
SECURE THE DAMPENER WITH 6g SCREWS OR Ø3.2mm RIVETS AS SHOWN.
REFER TO MACHINING PAGE FOR FIXING LOCATIONS.



ASSEMBLY - DAMPENER & CATCH INSTALLATIONS

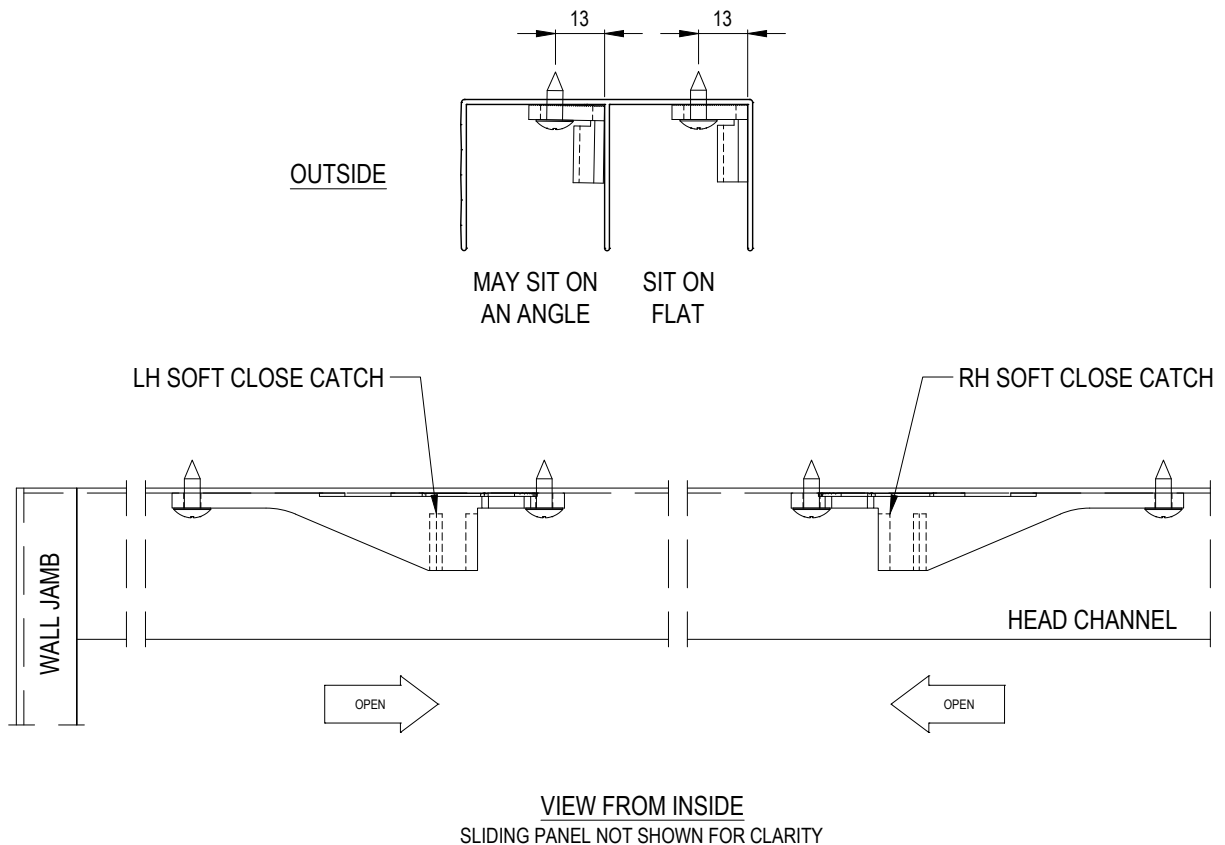
STEP 2 CONT.... :

ENSURE TOP FACE 'A' (DAMPENER) IS ALWAYS HIGHER THAN TOP FACE 'B'. FAILING TO DO SO WILL CAUSE THE CATCH COMPONENT INTERFERES WITH THE HEAD SPACER DURING OPEN/CLOSE OPERATIONS.



STEP 3:

SCREW FIX THE SOFT CLOSE CATCH ONTO THE HEAD EXTRUSION, HARD UP AGAINST THE CORNER AS SHOWN. THE CATCH COMPONENT ON THE OUTSIDE TRACK MAY BE SITTING ON AN ANGLE DUE TO THE TRIANGULAR PIP. REPEAT THIS STEP ON THE OPPOSITE END OF THE HEAD EXTRUSION IF REQUIRED (FOR PERFECTLY SQUARE PANEL THAT IS ABLE TO CLOSE ON EITHER SIDE WITHOUT LEAVING A GAP ALONG THE JAMB).



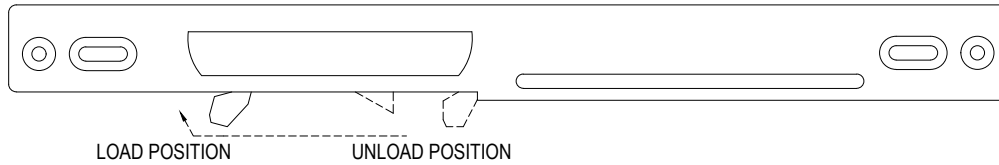
IMPORTANT:

1. USE THE LH SOFT CLOSE CATCH COMPONENT FOR RH SLIDING PANEL (WHEN VIEW FROM OUTSIDE).
2. USE THE RH SOFT CLOSE CATCH COMPONENT FOR LH SLIDING PANEL (WHEN VIEW FROM OUTSIDE).

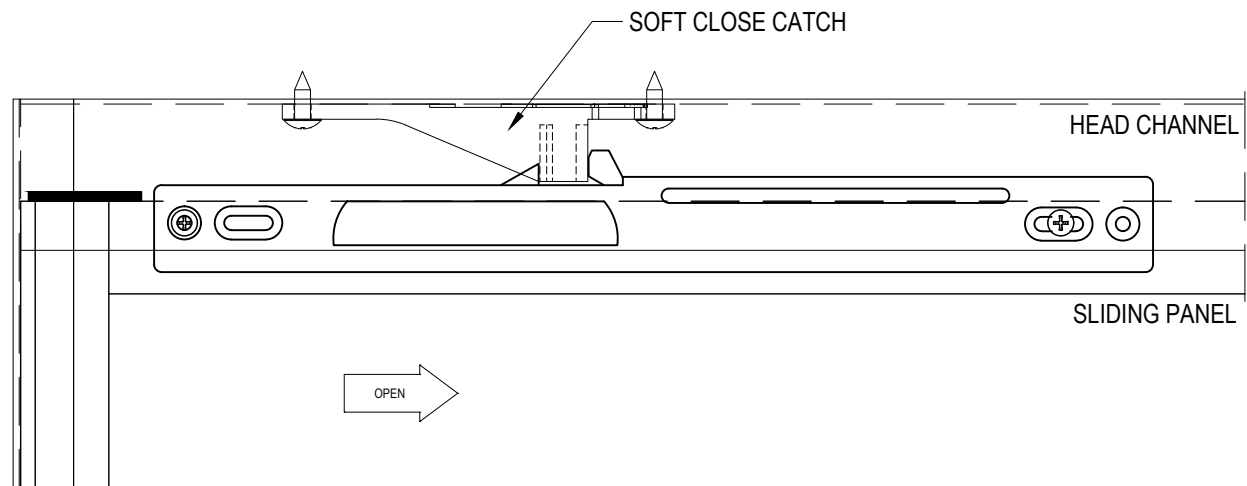
ASSEMBLY - DAMPENER & CATCH INSTALLATIONS

STEP 4 (FINAL):

BEFORE INSTALL THE SLIDING PANELS ONTO THE TRACK, LOAD THE DAMPENER BY PUSHING THE MOTION CATCH ON THE DAMPENER FROM 'UNLOAD' TO 'LOAD' POSITION AS SHOWN ON ALL PANELS IN PREPARATION FOR ENGAGEMENT WITH THE CATCHES.



ONCE THE DAMPENER IS IN 'LOAD' POSITION, INSTALL THE PANELS ONTO THE TRACKS, STARTING FROM THE INSIDE PANEL FIRST. PUSH THE PANEL SIDEWAY TOWARDS THE JAMB END TO ENGAGE WITH THE SOFT CLOSE CATCH ON THE HEAD TRACK EXTRUSION. OPEN AND CLOSE THE PANEL MULTIPLE TIMES TO ENSURE THEY ARE ENGAGING AND FUNCTIONING CORRECTLY, ADJUST THE PANEL HEIGHT AND THE SOFT CLOSE CATCH AS REQUIRED.

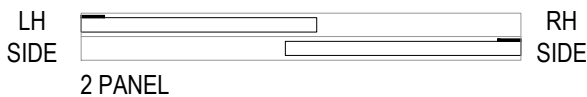


VIEW FROM INSIDE
PANEL IN CLOSED POSITION

BOM - DAMPENER & CATCH QUANTITY

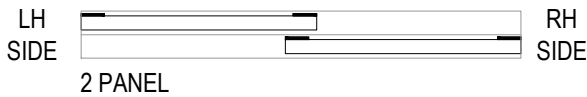
THE QUANTITY OF SOFT CLOSE COMPONENTS APPLIED TO A WARDROBE PANEL IS DEPENDENT ON THE ACCURACY OF THE PARTICULAR INSTALLATION. THE FOLLOWING EXAMPLES OUTLINE 'TYPICAL' AND 'PERFECT' INSTALLATIONS AND INDICATE HOW MANY COMPONENTS CAN POTENTIALLY BE APPLIED.

TYPICAL INSTALLATION: WARDROBE PANELS ARE ADJUSTED TO A SELECTED JAMB / WALL (LH OR RH SIDE) TO ENSURE THERE ARE NO GAPS BETWEEN THE PANELS BUMPER STOP AND WALL. FOR EXAMPLE REFERRING TO THE 2 PANEL CONFIGURATION BELOW THE RIGHT HAND PANEL IS ADJUSTED TO CLOSE AGAINST THE RIGHT HAND SIDE AND THE LEFT HAND PANEL IS ADJUSTED TO CLOSE AGAINST THE LEFT HAND SIDE. ONLY ONE SOFT CLOSE COMPONENT IS APPLIED TO EACH PANEL.



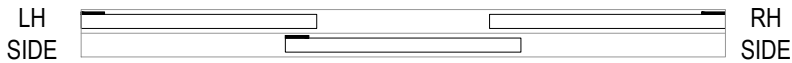
TYPICAL SCENARIO
(2 SOFT CLOSE COMPONENTS IN TOTAL)

PERFECT INSTALLATION: IF THE FRAMES / WALLS ARE PERFECTLY SQUARE IT MAY BE POSSIBLE TO CLOSE THE PANEL TO EITHER THE LEFT OR RIGHT HAND SIDE OF THE CONFIGURATION WITHOUT ANY PANEL TO JAMB / WALL GAPS. AS SUCH TWO SOFT CLOSE COMPONENTS CAN BE APPLIED TO EACH PANEL. EACH PANEL CAN THEN CLOSE TO EITHER SIDE OF THE INSTALLATION.

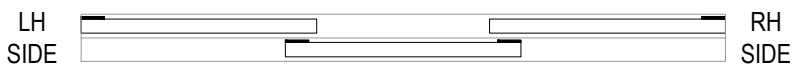


PERFECT SCENARIO
(4 SOFT CLOSE COMPONENTS IN TOTAL)

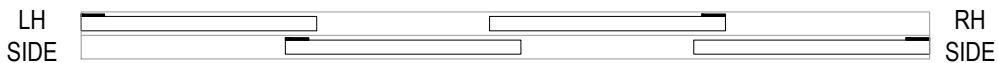
ADDITIONAL EXAMPLES ARE SHOWN BELOW FOR 3 AND 4 PANEL CONFIGURATIONS.



3 PANEL: TYPICAL SCENARIO
(3 SOFT CLOSE COMPONENTS IN TOTAL)



3 PANEL: PERFECT SCENARIO
(4 SOFT CLOSE COMPONENTS IN TOTAL)



4 PANEL: TYPICAL SCENARIO
(4 SOFT CLOSE COMPONENTS IN TOTAL)