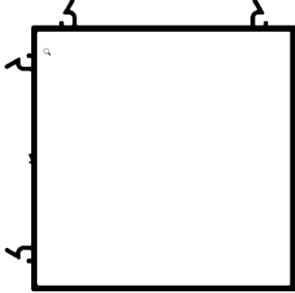



<b>PRODUCT BULLETIN No. 202</b>
<b>400/425/450 – 90° and 180° Posts</b>
<b>Commercial</b>

New 90° and 180° posts have been designed to connect with 400 series, 425 series and 450 series framing systems. Structural span tables have been created and are included in the current technical data manuals.

	<p><b>EP17033</b> <b>90° Degree Post</b></p> <p>Mill Finish stocked at: Erskine Park, NSW</p>
	<p><b>EP17034</b> <b>180° Degree Post</b></p> <p>Mill Finish stocked at: Erskine Park, NSW</p>

Section	Description	Length (m)	AP / metre	PP / metre
EP17033	400 425 450 90 DEGREE POST	6.5	0.515	0.344
EP17034	400 425 450 180 DEGREE POST	6.5	0.515	0.344

**Technical Notes**

- These new sections have been added into the 400, 425 and 450 Framing Technical Data Manuals.
- These new sections will be in our estimation software at the next database update #55.

Please contact your local Capral representative for further information.

Kind regards,



**Brendon Orth**

National Manager Commercial Systems