

<b>PRODUCT BULLETIN No. 204</b>
<b>225 Louvre Adaptor</b>
<b>Commercial</b>

With the release of the AGS 225 Series Door Panel a new Louvre Adaptor system needed to be developed to replace the existing profile (EL2074) which was used on the old 275 Series Door Panel specifications.



Section	Description	Length (m)	AP / metre	PP / metre
EP17096	225/597 LOUVRE ADAPTOR	6.5	0.233	0.156

**Technical Notes**

- This new section has been added into the 225 series door Technical Data Manual.
- This new section is scheduled to be added into our estimation software at the next database update.

Please contact your local Capral representative for further information.

Kind regards,

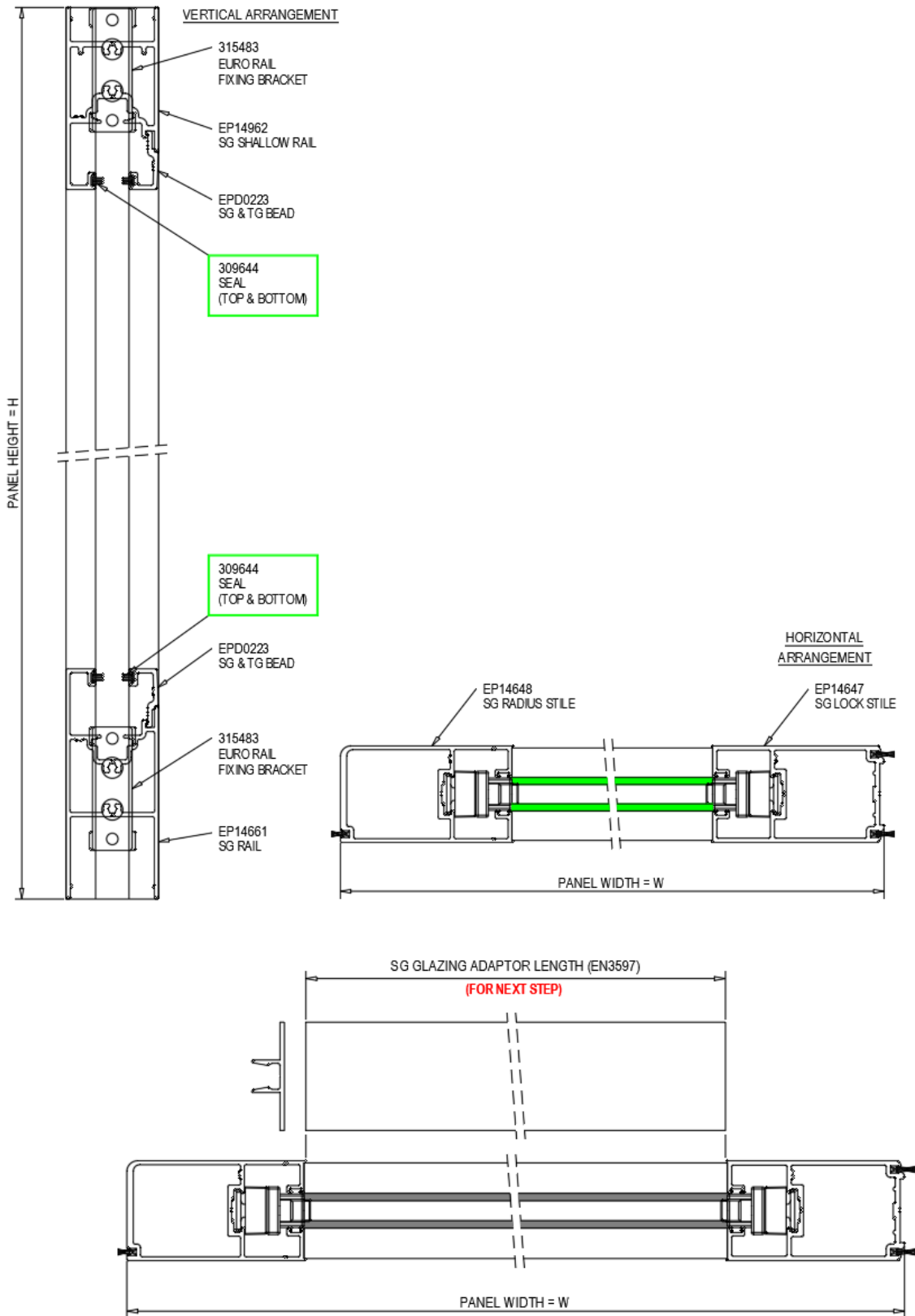


**Brendon Orth**

National Manager Commercial Systems

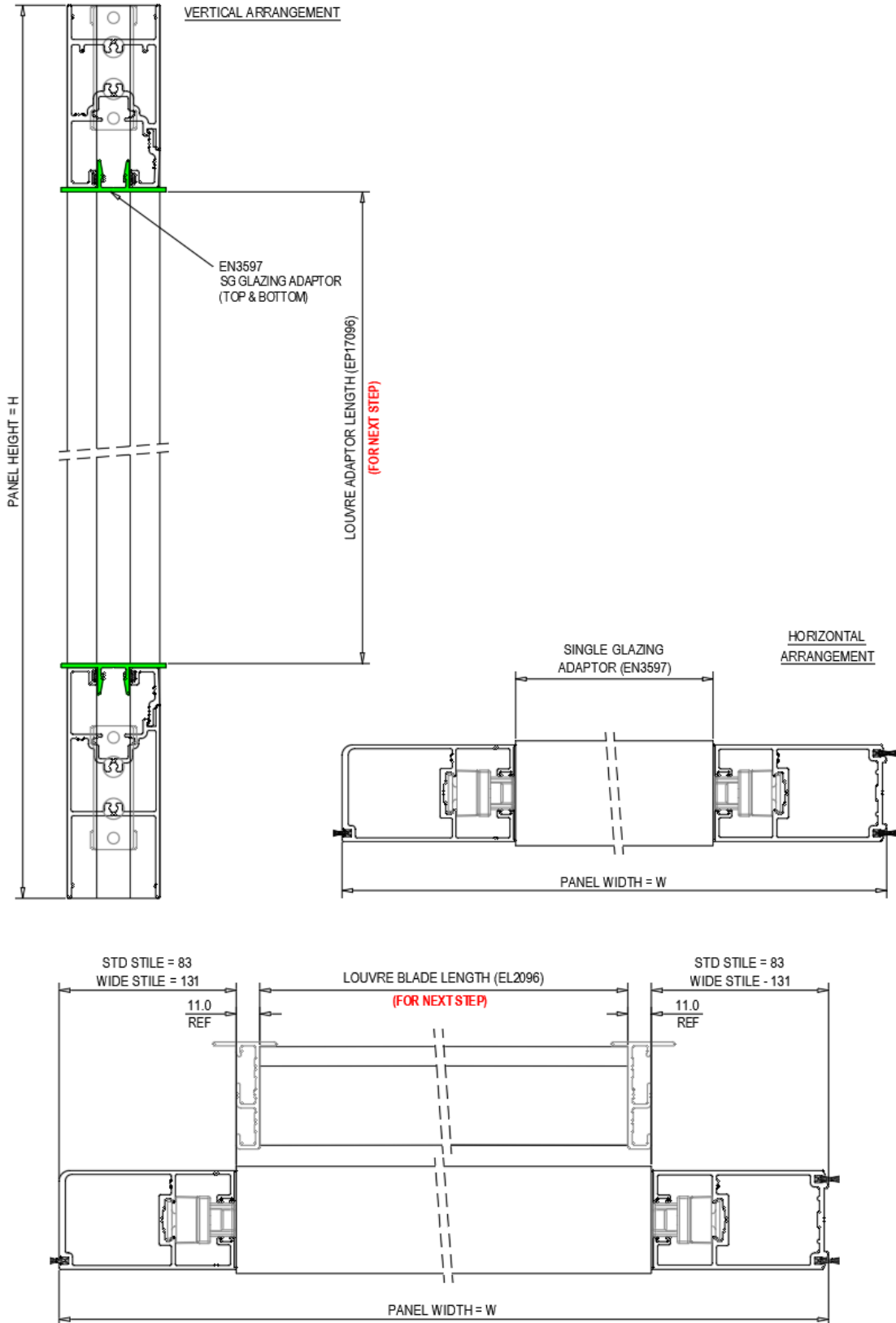
Step 1:

- Assemble 225 Series SG door panel outer frame (Stiles, Rails and Beads) using the Euro Fixing Bracket (315483). Seal (309644) is applied to the Rails and Beads as shown.
- The Beads (with applied Seal) are applied loosely to the Rails in preparation for the next step.



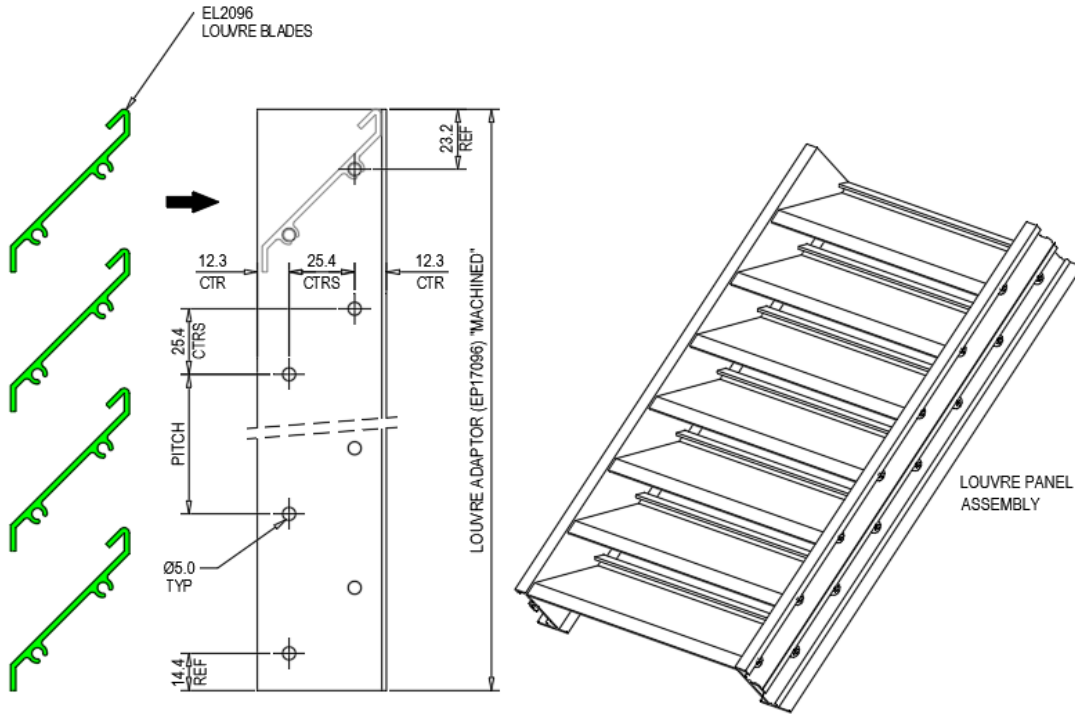
Step 2:

- Press fit EN3597 (SG Glazing Adaptor) into the Top & Bottom Rails. Compression from the Seal (309644) will firmly hold the SG Glazing Adaptor in position.

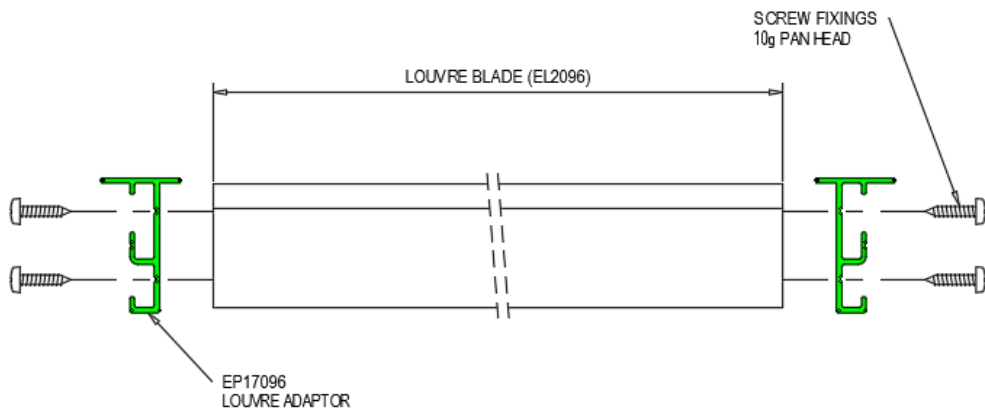


Step 3:

- Machine 10g Screw clearance holes in Louvre Adaptor (EP17096) at the required pitch to suit the quantity of Louvre Blades (EL2096).
- Assemble Louvre Blades onto Louvre Adaptor using 10g PH Screws to create a Louvre Panel Assembly.

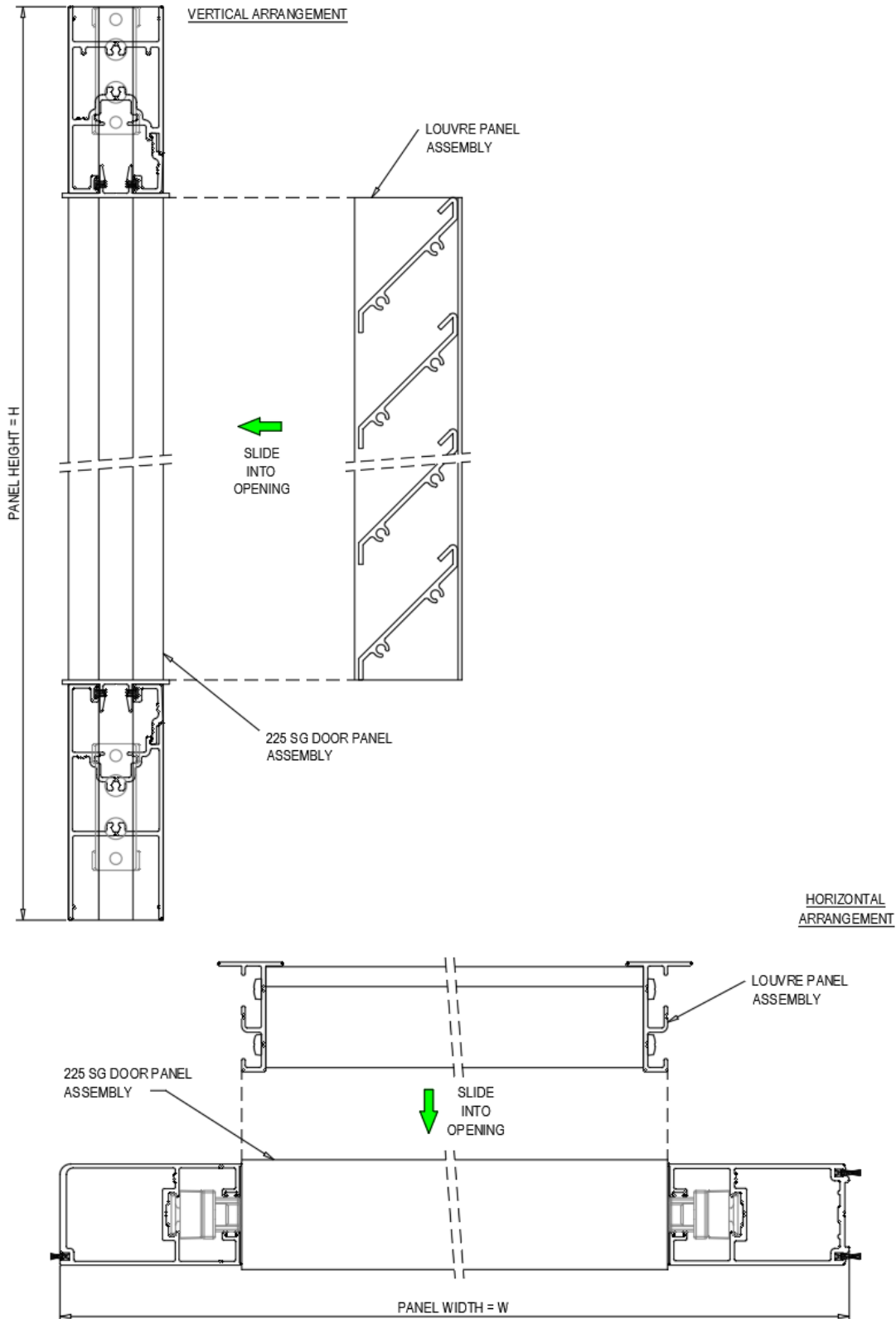


NOTE: EN4023 BLADE REQUIRES DIFFERENT MACHINING DETAILS. REFER TO TECHNICAL MANUAL FOR FULL DETAILS.



Step 4:

- Insert the Louvre Panel into the pre-assembled 225 SG Door Panel. Slide the assembly into the opening until the 'flange' on the Louvre Adaptor rests against the inside face of the Door Panel.



Step 5:

- Machine Panel Stiles (if not already done so) and apply screw fixings to secure the Louvre Panel assembly to the 225 SG Door Panel. Apply Hole Plugs to complete.
- OPTIONAL: The bottom Louvre Blade can be sealed to EN3597 if required.

