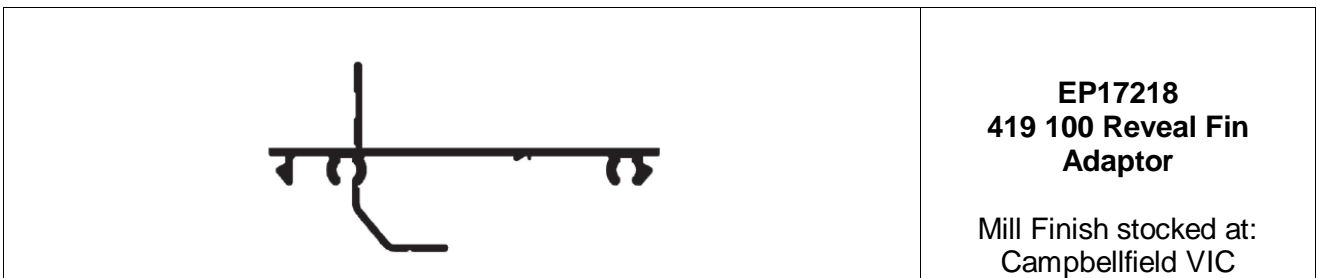
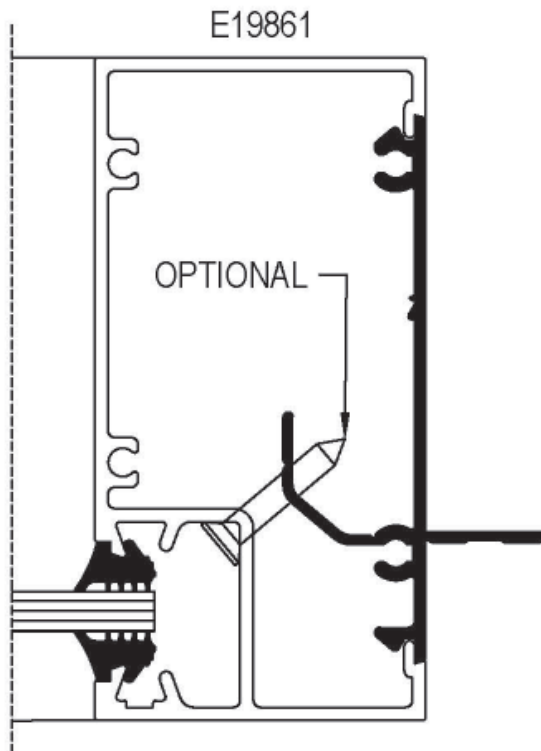


PRODUCT BULLETIN No. 209
419 100mm Reveal Fin Adaptor
Commercial

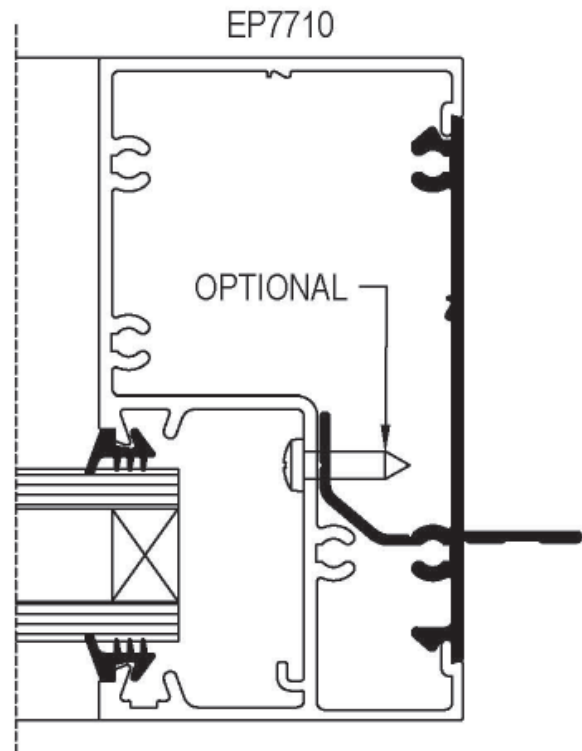
A reveal fin adaptor extrusion has been designed and cut primarily for the 419 100mm DG Flushline framing, however it can also be used on the 419 100mm SG Framing. The adaptor will run full jamb height with optional fixing at 300mm centres if required.



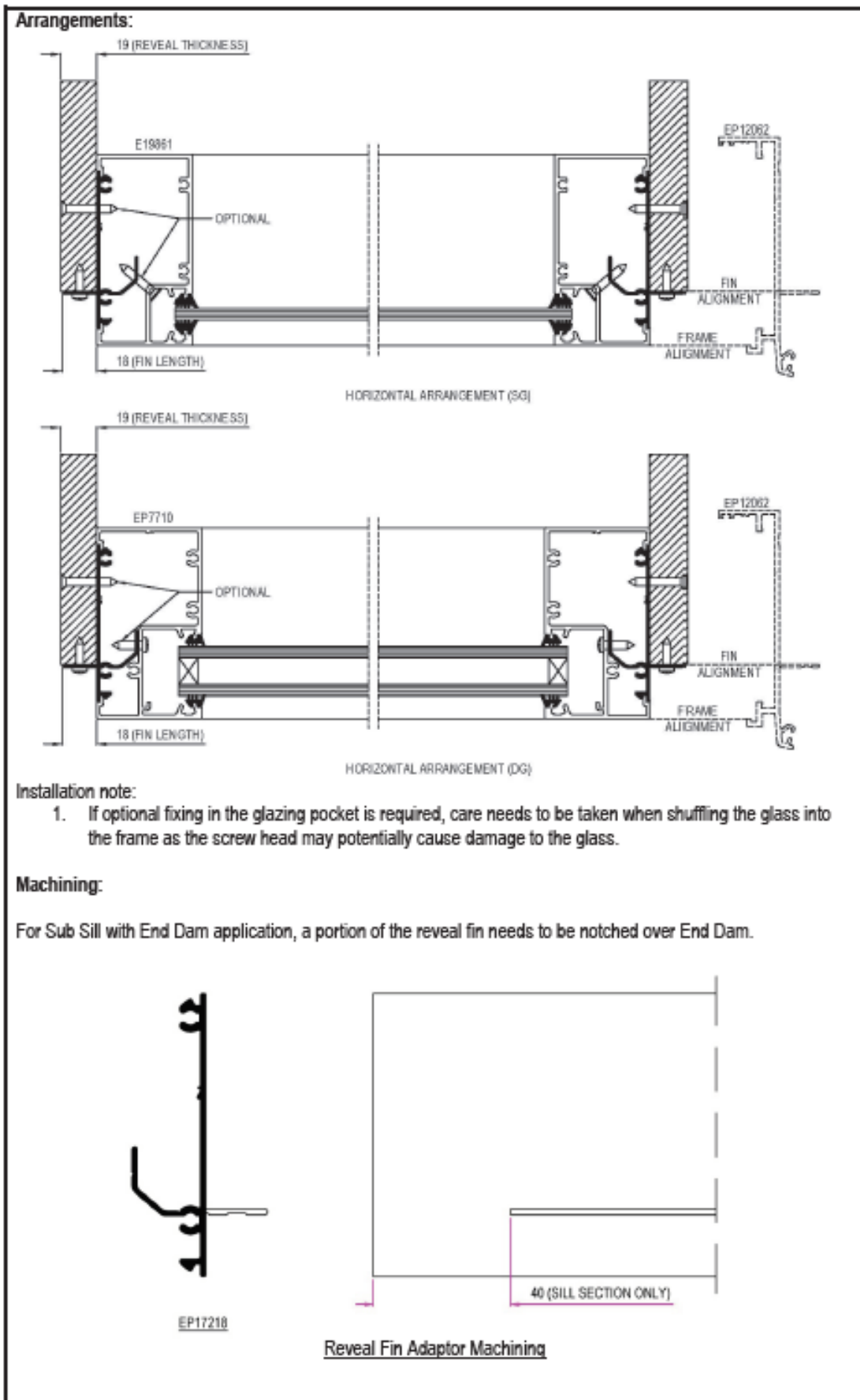
Section	Description	Length (m)	AP / metre	PP / metre
EP17218	419 100 REVEAL FIN ADAPTOR	6.5	0.321	na



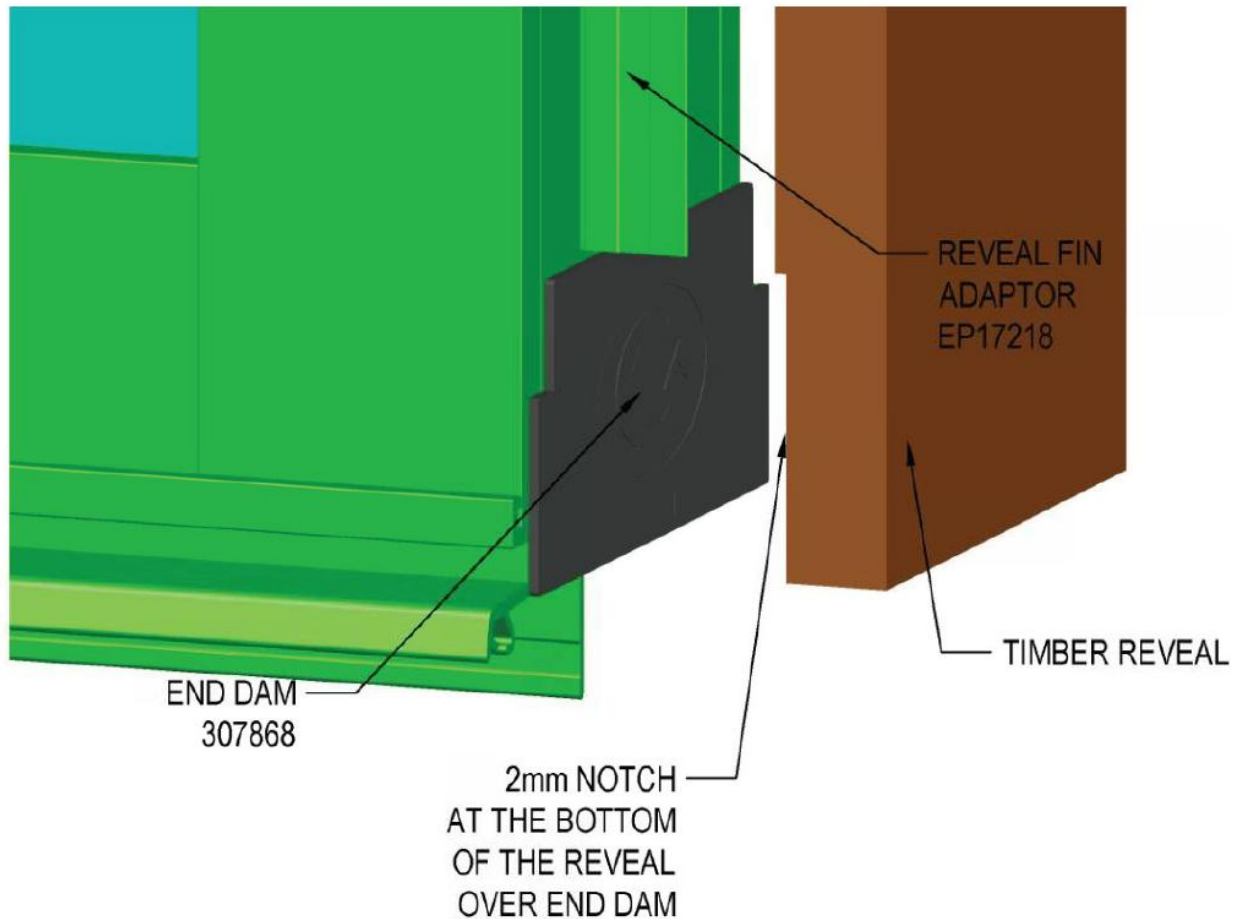
Single Glazed



Double Glazed



The timber reveal will also need to be notched as shown below to provide clearance for the end dam.



Notching of the Timber Reveal

Technical Notes

- This new section has been added into the 419 DG and 419 SG Technical Data Manuals.
- This new section will be in our estimation software at the next database update

Please contact your local Capral representative for further information.

Kind regards,

Brendon Orth

National Manager Commercial Systems