

<b>PRODUCT BULLETIN No. 212</b>
<b>Artisan High Performance upgrade</b>
<b>Commercial</b>

Following the Artisan panel upgrade in February 2018 (refer Product Bulletin 186) we have continued product development and testing and are pleased to advise the results of the new high performance levels that the door can now achieve.

There are two new replacement components required as part of this update.

The following tables document the results achieved for the folding door with the latest tests;

SPL: Single Point Lock    TPL: Triple Point Lock

Test 1 (C018-12 & 13)		
Test Sample Details	Water	Wind Pressure
Size: 2145mm (H) x 2440mm (W)	450 Pa (SPL) 450 Pa (TPL)	SLS = 2.2 kPa (SPL) ULS = 4.0 kPa (SPL)  SLS = 3.0 kPa (TPL) ULS = 7.5 kPa (TPL)
Configuration: 4.3.1		
Panel Operation: Open Out		
Sill: HP Sill (EP12624)		
Stile: SG Large Stile (EP16158)		
Rail: 225 SG Rail (EP14661)		

Test 2 (C018-14 & 15)		
Test Sample Details	Water	Wind Pressure
Size: 2135mm (H) x 2140mm (W)	150 Pa (SPL) 300 Pa (TPL)	SLS = 2.2 kPa (SPL) ULS = 4.0 kPa (SPL)  SLS = 3.0 kPa (TPL) ULS = 6.8 kPa (TPL)
Configuration: 4.3.1		
Panel Operation: Open In		
Sill: Flat Face Sill (EP14725)		
Stile: SG Large Stile (EP16158)		
Rail: 225 SG Rail (EP14661)		

Test 3 (C018-17 & 18)		
Test Sample Details	Water	Wind Pressure
Size: 3055mm (H) x 4040mm (W)	Failed to Rate (SPL) 150 Pa (TPL)	SLS = 0.8 kPa (SPL) ULS = 1.4 kPa (SPL)  SLS = 1.8 kPa (TPL) ULS = 3.0 kPa (TPL)
Configuration: 4.3.1		
Panel Operation: Open In		
Sill: Standard Sill (EP12623)		
Stile: SG Large Stile (EP16158)		
Rail: 225 SG Rail (EP14661)		

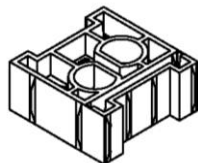
Test 4 (C018-20 & 21)		
Test Sample Details	Water	Wind Pressure
Size: 3055mm (H) x 4040mm (W)	Failed to Rate (SPL) 150 Pa (TPL)	SLS = 0.4 kPa (SPL) ULS = 0.9 kPa (SPL)
Configuration: 4.3.1		
Panel Operation: Open In		
Sill: HP Sill (EP12624)		SLS = 0.9 kPa (TPL) ULS = 1.8 kPa (TPL)
Stile: Standard Stile (EP16159)		
Rail: 225 SG Rail (EP14661)		

Test 5 (C018-26 & 27)		
Test Sample Details	Water	Wind Pressure
Size: 3055mm (H) x 4040mm (W)	300 Pa (SPL) 300 Pa (TPL)	SLS = 0.2 kPa (SPL) ULS = 1.1 kPa (SPL)
Configuration: 4.3.1		
Panel Operation: Open Out		
Sill: Flat Face Sill (EP14725)		SLS = 0.9 kPa (TPL) ULS = 2.0 kPa (TPL)
Stile: Standard Stile (EP16159)		
Rail: 225 SG Rail (EP14661)		

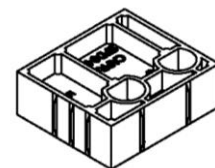
Two new end caps (tall versions) have been produced to replace the current end caps. The difference between the current and the new End Cap is the overall height. The new End Caps are double the height of the current ones, providing additional strength and support to the lock rod tips for triple point locking. Stocks of the old version are to be run out before replenishment occurs with the new versions.

Current End Cap (To Be Replaced):

**319441**  
SMALL STILE END CAP  
20 PACK - BLACK  
(SPD04199)

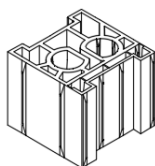


**319442**  
LARGE STILE END CAP  
20 PACK - BLACK  
(SPD04201)

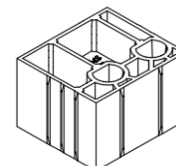


New End Cap Replacement:

**320584**  
SMALL STILE END CAP  
EACH  
(SPD04486)

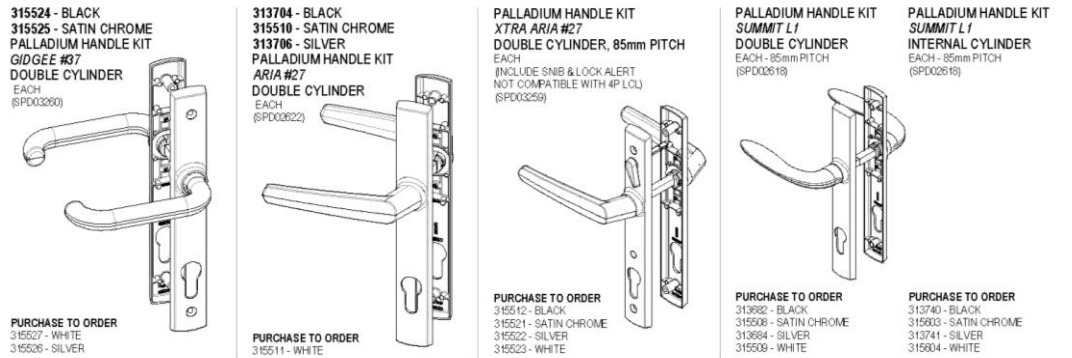


**320585**  
LARGE STILE END CAP  
EACH  
(SPD04487)

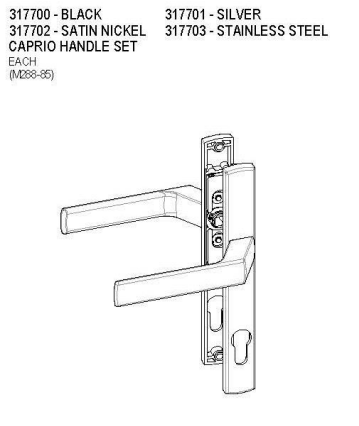


**Lock Handle Limitations:**

The following lock handles from Assa Abloy is suitable to use on **Small Stiles only (EP16159 & EP16160).**



The following lock handle from Brio is suitable to use on both **Small and Large Stiles.**



**Addition to Technical Manual**

All of the above additions and performance enhancement data has been updated in the Artisan Folding Door technical data manual.

Please contact your local Capral representative for further information.

Kind regards,



**Brendon Orth**

National Manager Commercial Systems