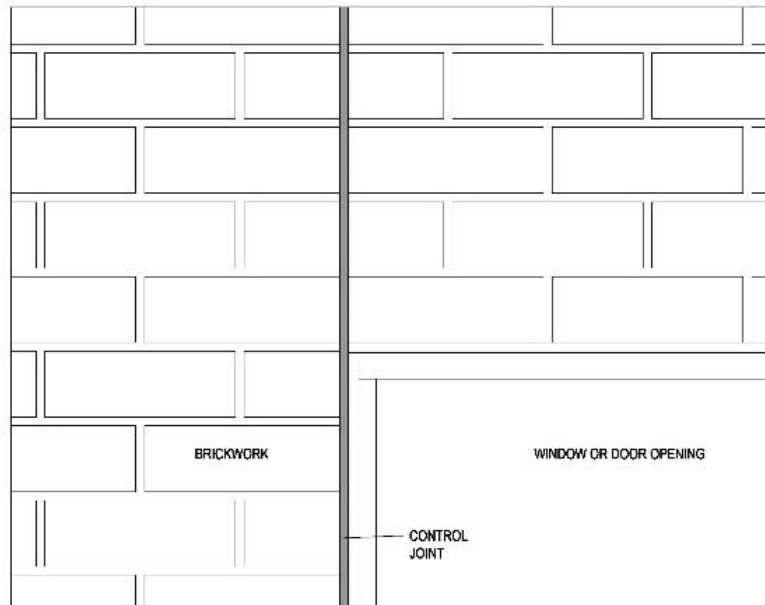


PRODUCT BULLETIN No. 217
Urban Control Joint Seal
Residential

Capral is pleased to introduce the Urban Control Joint Seal - 320812

The seal is fitted to the jambs only of residential products and follows the line of the expansion joint in the brickwork vertically.

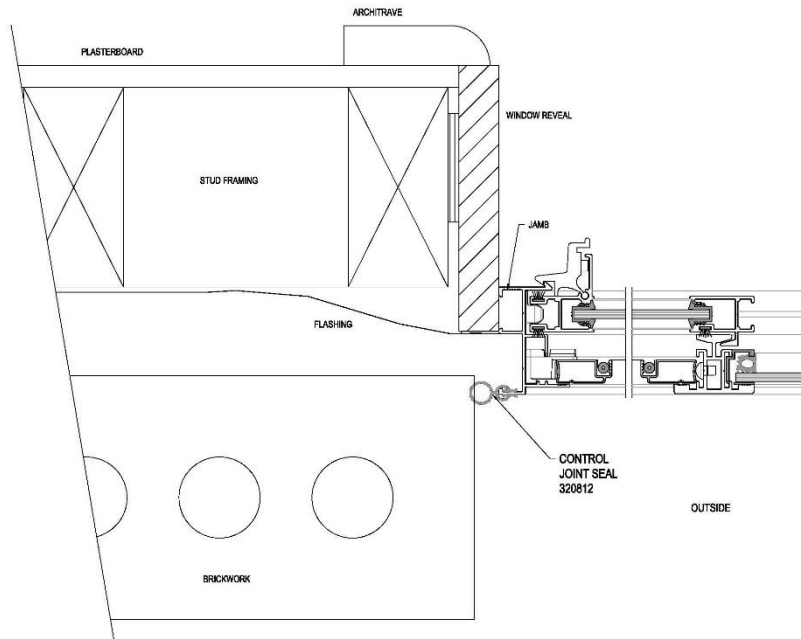
Of recent times a number of building inspectors / surveyors have raised concerns over the continuation of "Control Joints" beside windows and doors. This has been more prevalent in Victoria than any other state.



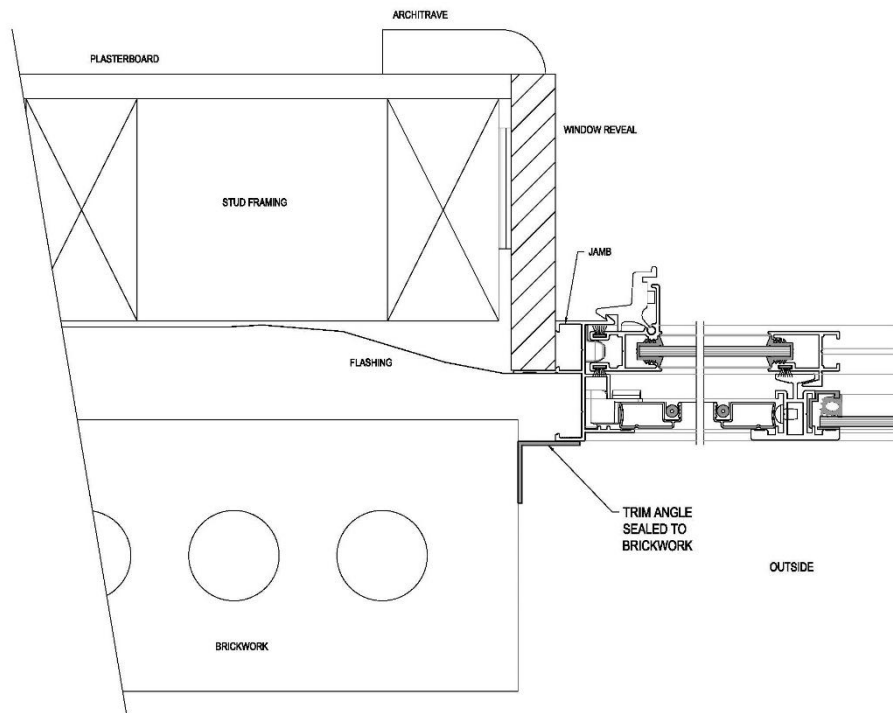
Australian standard AS4773.2 – Masonry in small building construction states that "A control joint placed at an opening shall provide sufficient clearance to door and window frames to accommodate movement within the control joint space and remain weatherproof".

This confirms that a gap is required to be maintained between the edge of the window frame and masonry, finishing this gap can be achieved in a number of ways,

- Urban Control Joint Seal (320812) can be snapped to the outer edge of the perimeter frame, this then provides a flexible and seal-able bulb seal for the bricklayers.



- A trim angle powdercoated in a matching colour can be sealed to the brickwork as indicated below; another added benefit of this is that various size angles are available which can accommodate varying expansion joint gaps and bricklayers discrepancies.



Stock

Urban Control Joint Seal – 320812 will be a stocked product, initially supplied out of Campbellfield, Victoria.

Technical Notes

Technical Manuals and Software systems will be updated in the near future as an optional inclusion

Please contact your local Capral representative for further information.

Kind regards



Matthew Finnie

National Manager Residential Systems