

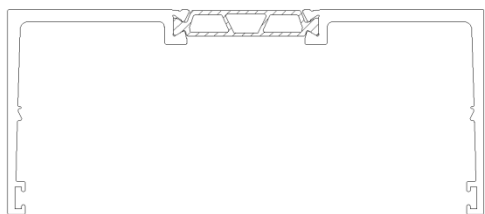
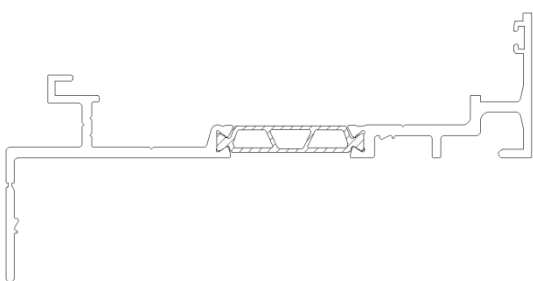
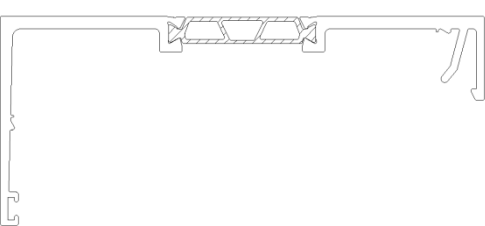
PRODUCT BULLETIN No. 219
Futureline 419TB 100mm Front Glazed– RELEASE
Commercial

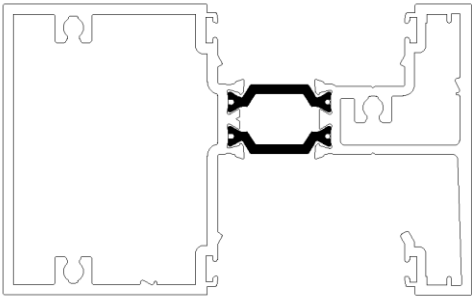
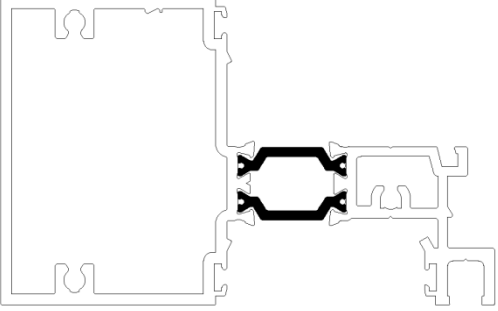
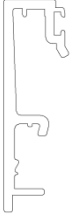
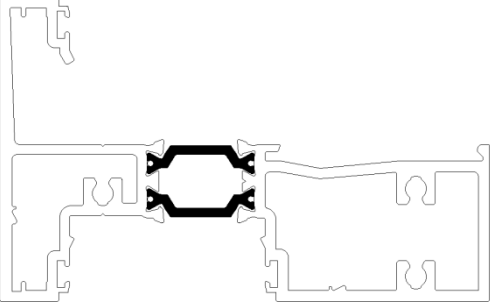

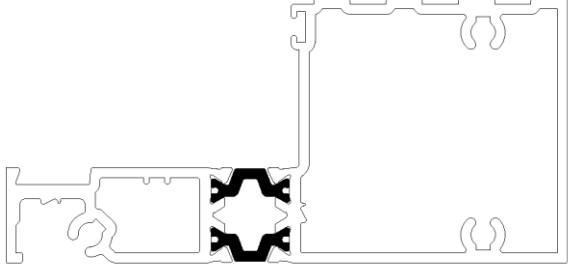
We are please to advise that a 100mm front glazed suite has been added to the Futureline range and will be know as Futureline 419TB 100mm. being 100mm deep this suite lends itself to use in both the residential market as well as commercial applications and is a great alternative to the 440TB framing suite.

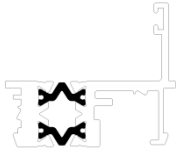
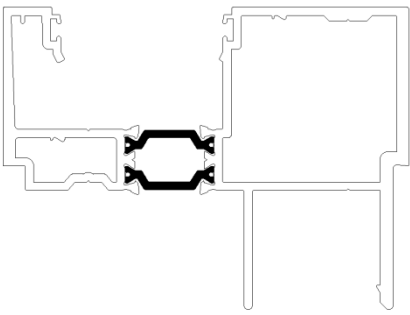
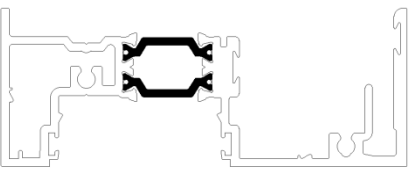
As part of the Futureline family this new suite utilises a number of the existing sections already in use across the other framing suites.

These new sections have been designed to cater for the increased energy requirements being demanded by the market, having the ability to accept double glazed units from 22mm up to 34mm.

Futureline Awning window, hinged door, sliding window and sliding door are compatible with this new suite.

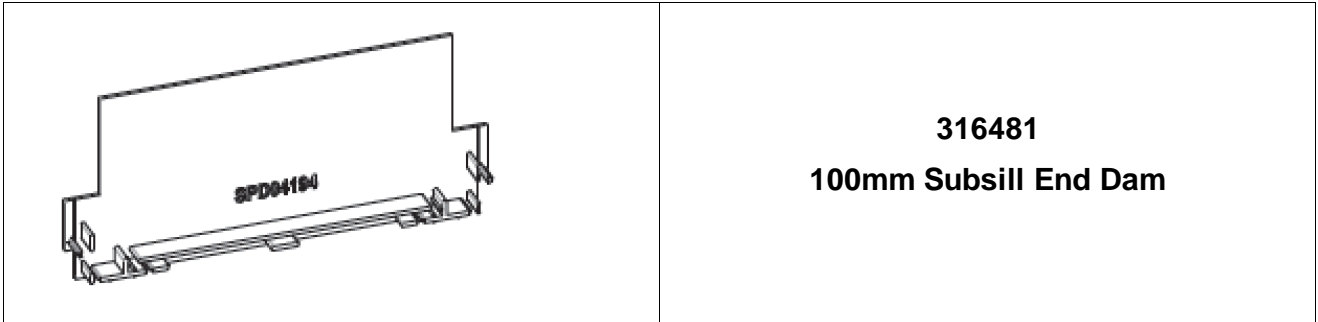
	ETB0016 100mm Sub head
	ETB0017 100mm Sub sill
	ETB0018 100mm 2-pc Sub frame base

	<p>ETB0213 Frame</p>
	<p>ETB0214 Cover Sill/Transom</p>
	<p>ETB0205 Cover Bead</p>
	<p>ETB0216 Internal Sill/Transom</p>
	<p>ETB0217 Internal Bead</p>
	<p>ETB0024 100mm Threshold</p>

	<p align="center">ETB0209 Sash adaptor</p>
	<p align="center">ETB0218 Male Mullion</p>
	<p align="center">ETB0219 Female Mullion</p>

Section	Description	Length (m)	AP / metre	PP / metre
ETB0016	100MM SUB HEAD	5.8	0.441	0.118
ETB0017	100MM SUB SILL	5.8	0.480	0.135
ETB0018	100MM SUB FRAME BASE	5.8	0.398	0.100
ETB0213	100MM FRAME	5.8	0.543	0.235
ETB0214	100MM COVER SILL / TRANSOM	5.8	0.470	0.181
ETB0205	COVER BEAD	5.8	0.198	0.100
ETB0216	100MM INTERNAL SILL / TRANSOM	5.8	0.467	0.163
ETB0217	INTERNAL BEAD	5.8	0.196	0.100
ETB0024	100MM THRESHOLD	5.8	0.542	0.258
ETB0209	419TB SASH ADAPTOR	5.8	0.269	0.100
ETB0218	100MM MALE MULLION	5.8	0.574	0.139
ETB0219	100MM FEMALE MULLION	5.8	0.519	0.136

These sections will be stocked at Campbellfield, VIC in Mill Finish only.



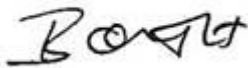
Code	Description	UOM	Pack size
316481	100mm Subsill End Dam	each	50

Technical Notes

- Technical Manual available for download from the Capral website.
- These new sections will be available in the CRE8 database update number 58, and Logikal estimation software package.

Please contact your local Capral representative for further information.

Kind regards,



Brendon Orth

National Manager – Commercial Systems