

Step above the rest

Ampligrip™ Aluminium Grating



Ampligrip™



Ampligrip™

Aluminium Grating by Juralco™

Roof Walkways

Marine Gangways

Rooftop Platforms

Stair treads

Sewerage Treatment Plants

Lightweight Catwalks



Lightweight Gratings suitable for Corrosive Environment Sewerage treatment plants and coastal Environments. Ideal as a non-sparking flooring in flammable liquid stores.

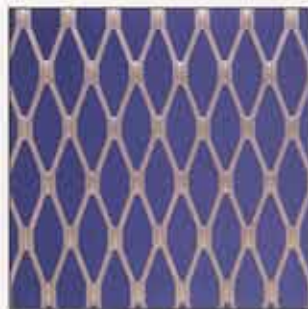
Ampligrip™ 200 Series Standard Panel Dimensions

Ampligrip™ 201/600

Length	=	6000mm	($\begin{smallmatrix} +100 \\ 0 \end{smallmatrix}$)
Width	=	600mm	($\begin{smallmatrix} +3 \\ -3 \end{smallmatrix}$)
Depth	=	13mm	
Weight	=	28kg/panel	(7.75kg/m ²)

Ampligrip™ 202/600

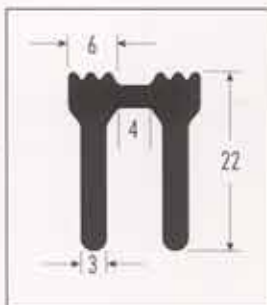
Length	=	6000mm	($\begin{smallmatrix} +100 \\ 0 \end{smallmatrix}$)
Width	=	600mm	($\begin{smallmatrix} +3 \\ -3 \end{smallmatrix}$)
Depth	=	22mm	
Weight	=	35kg/panel	(9.75kg/m ²)



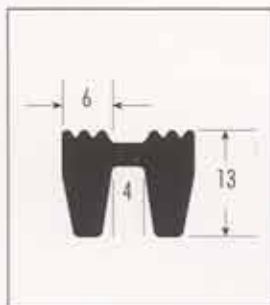
200 Series Grating

Ampligrip™ 200 Series grating products are manufactured from aluminium alloy 6060-T5 Temper (To AS/NZS 1866-1997).

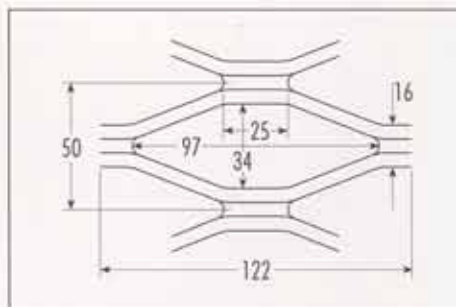
'Specification Clause'. When specifying 200 Series grating, adopt the following clause: "Supply Juralco™, Ampligrip™ (201 or 202) aluminium grating".



202 Grating

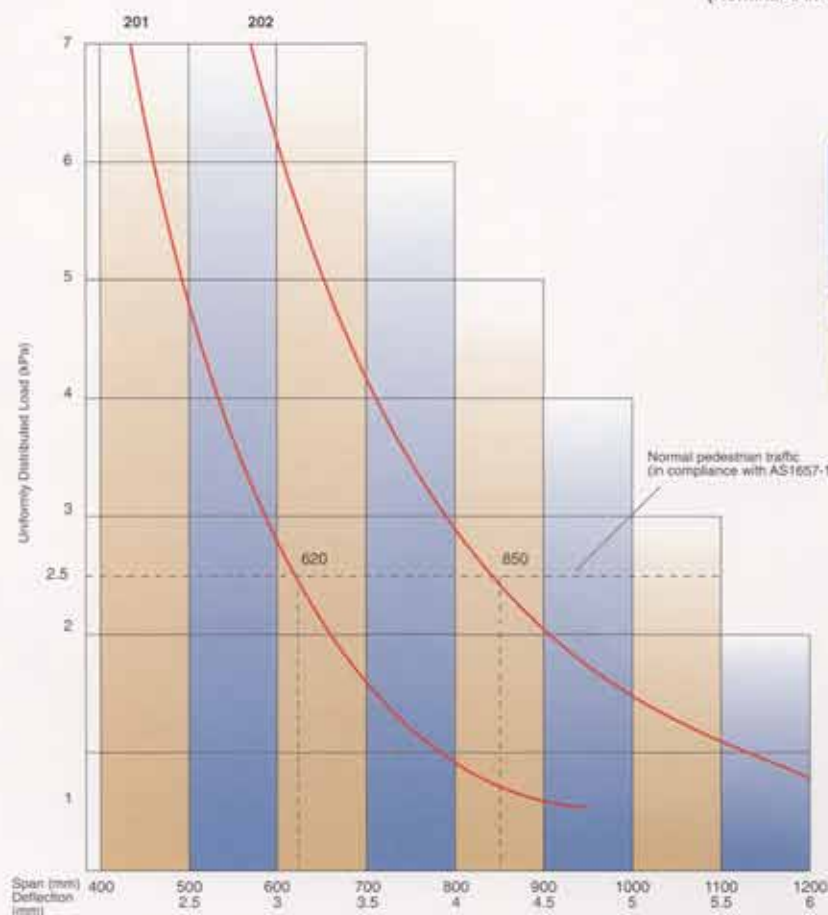


201 Grating



Standard Aperture Size
(Nominal Dimensions - in mm)

Load Span Graph for 200 Series Ampligrip™ Grating



NOTE

For multiple continuous spans of equal length, the load values obtained from graph may be multiplied by a factor of 1.4 or if the loading is to remain the same, the span can be increased by a factor of 1.087.

Ampligrrip™ 400 Series Standard Panel Dimensions

Ampligrrip™ 430/300

Length	=	6000mm	($\begin{smallmatrix} +100 \\ -0 \end{smallmatrix}$)
Width	=	300mm	($\begin{smallmatrix} +3 \\ -3 \end{smallmatrix}$)
Depth	=	30mm	
Weight	=	26kg/panel	(14.4kg/m ²)

Ampligrrip™ 430/500

Length	=	6000mm	($\begin{smallmatrix} +100 \\ -0 \end{smallmatrix}$)
Width	=	500mm	($\begin{smallmatrix} +3 \\ -3 \end{smallmatrix}$)
Depth	=	30mm	
Weight	=	41kg/panel	(15.0kg/m ²)

Ampligrrip™ 440/500

Length	=	6000mm	($\begin{smallmatrix} +100 \\ -3 \end{smallmatrix}$)
Width	=	500mm	($\begin{smallmatrix} +3 \\ -3 \end{smallmatrix}$)
Depth	=	40mm	
Weight	=	45kg/panel	(15.0kg/m ²)

Ampligrrip™ 400/250 Stairtread Panels

Standard Panel Dimensions

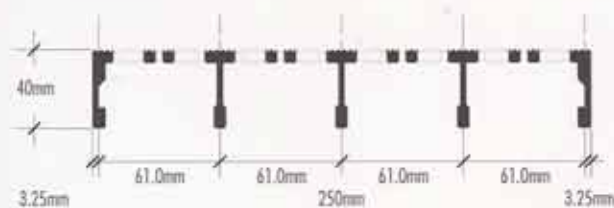
Length	=	6000mm	($\begin{smallmatrix} +100 \\ -0 \end{smallmatrix}$)
Width	=	250mm	($\begin{smallmatrix} +3 \\ -3 \end{smallmatrix}$)
Depth	=	40mm	
Weight	=	24kg/panel	(4kg/m)

Deflection Table Standard 250mm Wide Panel

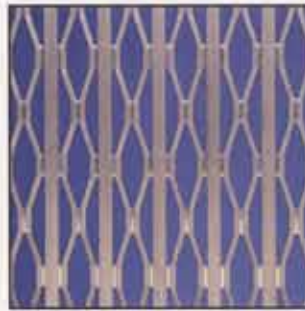
Loading Condition		Span (mm)				
		750	900	1050	1200	1350
Uniformly Distributed Load	2.2kN/m	0.6	1.3	2.5	4.1	6.6
Concentrated Load	1.4 kN	0.9	1.5	2.4	3.5	5.0

(Figures are for 250mm wide panels. Loading are as per AS1657-1992 and AS1170 Part 1-1989)

Through Standard 250mm Wide Panel



Maximum recommended stairtread width for normal pedestrian traffic is 1200mm.

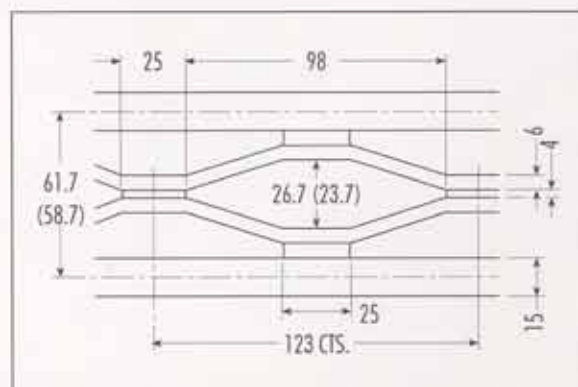


400 Series Grating

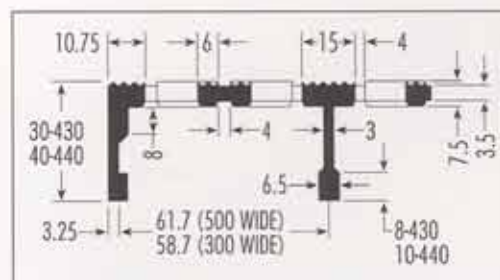
Ampligrrip™ 400/500 Series grating are manufactured from aluminium alloy 6063-T6 Temper (To AS/NZS 1866-1997).

Ampligrrip™ 430/300 grating and 400/250 stairtread, are manufactured from aluminium alloy 6060-T6 (To AS/NZS 1866-1997).

'Specification Clause'. When specifying Ampligrrip™ 400 Series grating, adopt the following clause: "Supply-Juralco™, Ampligrrip™ 400 Series aluminium straight load bar grating".



Standard Aperture Size
(Nominal Dimensions) 500 & (300) Wide Panels



430 & 440 Grating (Nominal Dimensions)
500 & 300 Wide Grating

AmpligrTM 400 Series Safe Load Tables

Safe Load and Deflection Tables AmpligrTM 430/500mm wide panels

Single Span

Load Condition	Loading Criteria	Span (mm)												
		750	900	1050	1200	1350	1500	1650	1800	1950	2100	2250	2400	2550
Uniformly Distributed Load (500mm wide panel)	Max. Load Capacity (kPa)	27.8	19.3	14.2	10.8	8.6	6.9	5.7	4.8	4.1	3.5	3.1	2.7	2.4
	Max. Deflection (mm)	5.1	7.3	9.9	12.9	16.3	20.1	24.4	29.1	34.1	39.6	45.4	51.7	58.3
	Safe Load Limit (kPa) for Span/200	20.4	11.9	7.5	5.0	3.5	2.6	1.9	1.5	1.1	0.9	0.8	0.6	0.5
Concentrated Line Load (500mm wide panel)	Max. Load Capacity (kN)	5.2	4.3	3.7	3.3	2.9	2.6	2.3	2.1	2.0	1.9	1.7	1.6	1.5
	Max. Deflection (mm)	4.0	5.8	7.9	10.5	13.1	16.1	19.5	23.2	27.3	31.6	36.3	41.3	46.7
	Safe Load Limit (kN) for Span/200	4.9	3.3	2.5	1.9	1.5	1.2	1.0	0.8	0.7	0.6	0.5	0.4	0.3

Double Span

Load Condition	Loading Criteria	Span (mm)															
		750	900	1050	1200	1350	1500	1650	1800	1950	2100	2250	2400	2550	2700	2850	3000
Uniformly Distributed Load (500mm wide panel)	Max. Load Capacity (kPa)	27.8	19.3	14.2	10.8	8.6	6.9	5.7	4.8	4.1	3.5	3.1	2.7	2.4	2.1	1.9	1.7
	Max. Deflection (mm)	2.1	3.1	4.1	5.4	6.8	8.4	10.1	12.1	14.2	16.4	18.9	21.4	24.2	27.1	30.2	33.35
	Safe Load Limit (kPa) for Span/200	-	-	-	-	8.5	6.2	4.6	3.6	2.8	2.3	1.8	1.5	1.3	1.1	0.9	0.8
Concentrated Line Load (500mm wide panel)	Max. Load Capacity (kN)	6.9	5.8	4.9	4.3	3.8	3.5	3.2	2.9	2.7	2.5	2.3	2.2	2.1	1.9	1.8	1.7
	Max. Deflection (mm)	2.4	3.5	4.7	6.2	7.8	9.6	11.7	13.9	16.3	18.9	21.7	24.7	27.9	31.3	34.8	38.6
	Safe Load Limit (kN) for Span/200	-	-	-	4.2	3.3	2.7	2.3	1.9	1.6	1.4	1.2	1.0	0.9	0.8	0.7	0.6

Triple Span

Load Condition	Loading Criteria	Span (mm)									
		750	900	1050	1200	1350	1500	1650	1800	1950	2000
Uniformly Distributed Load (500mm wide panel)	Max. Load Capacity (kPa)	34.7	24.1	17.7	13.6	10.7	8.7	7.2	6.0	5.1	4.9
	Max. Deflection (mm)	3.3	4.7	6.4	8.4	10.6	13.1	15.9	18.9	22.1	25.0
	Safe Load Limit (kPa) for Span/200	-	23.1	14.5	9.7	6.8	4.9	3.7	2.8	2.3	2.1
Concentrated Line Load (500mm wide panel)	Max. Load Capacity (kN)	7.4	6.2	5.3	4.6	4.1	3.7	3.4	3.1	2.8	2.7
	Max. Deflection (mm)	3.2	4.6	6.3	8.2	10.4	12.8	15.5	18.5	21.7	22.5
	Safe Load Limit (kN) for Span/200	-	6.1	4.4	3.4	2.7	2.2	1.8	1.5	1.3	1.2

Safe Load and Deflection Tables AmpligrTM 440/500mm wide panels (Clamped on min. 25mm supports)

Single Span

Load Condition	Loading Criteria	Span (mm)															
		750	900	1050	1200	1350	1500	1650	1800	1950	2100	2250	2400	2550	2700	2850	3000
Uniformly Distributed Load (500mm wide panel)	Max. Load Capacity (kPa)	48.1	33.5	24.6	18.8	14.9	12.1	9.9	8.4	7.1	6.1	5.3	4.7	4.2	3.7	3.3	3.0
	Max. Deflection (mm)	3.9	5.6	7.6	9.9	12.5	15.4	18.7	22.2	26.1	30.2	34.7	39.5	44.6	50.0	55.7	61.7
	Safe Load Limit (kPa) for Span/200	46.2	26.9	17.0	11.4	8.0	5.9	4.4	3.4	2.6	2.1	1.7	1.4	1.2	1.0	0.85	0.73
Concentrated Line Load (500mm wide panel)	Max. Load Capacity (kN)	9.0	7.5	6.5	5.6	5.0	4.5	4.1	3.8	3.5	3.2	3.0	2.8	2.6	2.5	2.4	2.3
	Max. Deflection (mm)	3.1	4.4	6.1	7.8	10.0	12.3	14.9	17.8	20.9	24.2	27.8	31.6	35.7	40.0	44.6	49.4
	Safe Load Limit (kN) for Span/200	-	-	5.6	4.3	3.4	2.7	2.2	1.9	1.6	1.4	1.2	1.0	0.9	0.8	0.7	0.6

Double Span

Load Condition	Loading Criteria	Span (mm)															
		750	900	1050	1200	1350	1500	1650	1800	1950	2100	2250	2400	2550	2700	2850	3000
Uniformly Distributed Load (500mm wide panel)	Max. Load Capacity (kPa)	48.1	33.5	24.6	18.8	14.9	12.1	9.9	8.4	7.1	6.1	5.3	4.7	4.2	3.7	3.3	3.0
	Max. Deflection (mm)	1.6	2.3	3.1	4.1	5.2	6.4	7.7	9.2	10.8	12.6	14.4	16.4	18.5	20.7	23.1	25.6
	Safe Load Limit (kPa) for Span/200	-	-	-	-	-	-	8.2	6.4	5.1	4.1	3.4	2.9	2.4	2.0	1.8	
Concentrated Line Load (500mm wide panel)	Max. Load Capacity (kN)	12.1	10.1	8.6	7.5	6.7	6.0	5.5	5.0	4.6	4.3	4.0	3.8	3.6	3.3	3.1	3.0
	Max. Deflection (mm)	1.9	2.6	3.6	4.7	5.9	7.4	8.9	10.6	12.5	14.5	16.6	18.9	21.3	23.90	26.6	29.5
	Safe Load Limit (kN) for Span/200	-	-	-	-	-	-	5.1	4.2	3.6	3.1	2.7	2.4	2.1	1.9	1.7	1.5

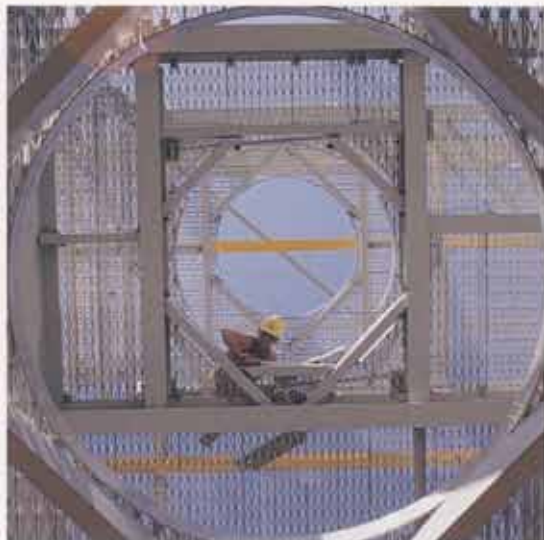
Triple Span

Load Condition	Loading Criteria	Span (mm)									
		750	900	1050	1200	1350	1500	1650	1800	1950	2000
Uniformly Distributed Load (500mm wide panel)	Max. Load Capacity (kPa)	60.4	41.9	30.7	23.6	18.6	15.0	12.5	10.5	8.9	7.7
	Max. Deflection (mm)	2.5	3.6	4.9	6.4	8.1	10.0	12.1	14.4	16.9	19.7
	Safe Load Limit (kPa) for Span/200	-	-	-	22.1	15.5	11.3	8.5	6.5	5.1	4.1
Concentrated Line Load (500mm wide panel)	Max. Load Capacity (kN)	12.9	10.8	9.2	8.1	7.2	6.4	5.9	5.4	5.0	4.9
	Max. Deflection (mm)	2.5	3.5	4.8	6.3	7.9	9.8	11.9	14.1	16.6	17.1
	Safe Load Limit (kN) for Span/200	-	-	-	7.7	6.1	4.9	4.1	3.4	2.9	2.8

Legend

 Spans at engineer's discretion

 Spans within AS1657 allowing for span/200 deflection



NATIONAL TECHNICAL CENTRE
Juralco™ Industrial Products

Free Call 1800 889 327

Or your nearest state office

Forney Road

Elizabeth West SA 5112

PO Box 171 Elizabeth SA 5112

Telephone (08) 8232 2200

Fax (08) 8232 2200

Additional Services:

Budget Estimates

Material Take-Offs

Site Measure & Quote

Delivery Ex Stock (All standard components)

Technical Drawings

System Variations

Installation Detail

CAD Design

Powder Coating

Anodising



Guardsafe™

Ampligrip™

Walkmaster™