

PRODUCT BULLETIN No. 243
SCM Group Australia Partnership
All Capral

Capral, in combination with SCM Group Australia, have created a unique offer designed to give you:

- Greater manufacturing efficiency - allowing you to produce more, quicker
- Reduced labour costs giving you less costs per unit
- A significant reduction in reworks, time and cost
- More accurate machining to streamline your assembly process.

This bulletin is accompanied by a product flyer which explains all the features and benefits for the target product offered.

Capral is fortunate enough to have these machines in Campbellfield TSG and encourage any target customer to arrange a demonstration. With this SCM Group have a wide range of other products that may suit your fabricator needs.



Capral's Automated Machining Offer

Capral, in combination with SCM Group Australia, have created a unique offer designed to give you:

- Greater manufacturing efficiency - allowing you to produce more, quicker
- Reduced labour costs giving you less costs per unit
- A significant reduction in reworks, time and cost
- More accurate machining to streamline your assembly process.

The automated machining offer from Capral/SCM is designed to give you the confidence you need to achieve your business goals. By modernising your cutting and machining process, your organisation can experience a significant improvement on the bottom line.

These solutions have been customised to suit the Capral commercial and architectural window and door range, and include machinings, profiles and software ready for you to start machining immediately.

Particular advantages can be experienced when machining the flagship Schüco suite of European products. Versatility, combined with the larger architectural profiles make managing the complicated machinings and profiles simple and efficient.

Linking the design software, profile length cutting, and the machining gives an automated manufacturing cycle that can be automatically downloaded to the machines from your office.

Capral and SCM are excited to offer you the opportunity to view this unique solution at the new 'Capral Centre of Excellence' located in Campbellfield, Victoria.

Live demonstrations can show you:

- Speed of production
- Simplicity of programming
- Maintenance and costs

With financing packages available, Capra/SCM can demonstrate how, with a relatively low investment, you can create a manufacturing centre that will drive your business forward for years to come.

Supplying a turnkey solution, Capra/SCM work together to ensure your machine is installed, commissioned, and comprehensive training provided to your operators - ensuring an immediate positive effect on your business.

capral.com.au



Please contact your local Capral representative for further information.

Matthew Finnie, National Manager Residential Systems



Capral's Automated Machining Offer

Capral, in combination with SCM Group Australia, have created a unique offer designed to give you:

- Greater manufacturing efficiency - allowing you to produce more, quicker
- Reduced labour costs giving you less costs per unit
- A significant reduction in reworks, time and cost
- More accurate machining to streamline your assembly process.

The automated machining offer from Capral/SCM is designed to give you the confidence you need to achieve your business goals. By modernising your cutting and machining process, your organisation can experience a significant improvement on the bottom line.

These solutions have been customised to suit the Capral commercial and architectural window and door range, and include machinings, profiles and software ready for you to start machining immediately.

Particular advantages can be experienced when machining the flagship Schüco suite of European products. Versatility, combined with the larger architectural profiles make managing the complicated machinings and profiles simple and efficient.

Linking the design software, profile length cutting, and the machining gives an automated manufacturing cycle that can be automatically downloaded to the machines from your office.

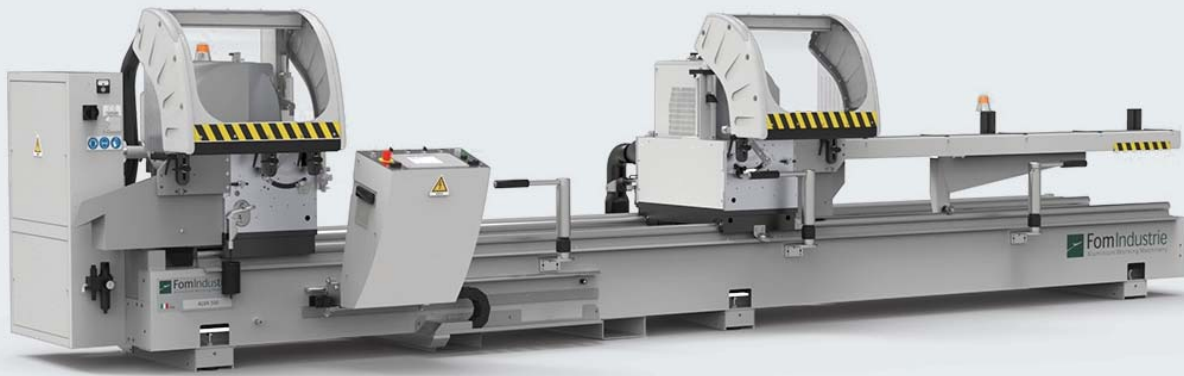
Capral and SCM are excited to offer you the opportunity to view this unique solution at the new 'Capral Centre of Excellence' located in Campbellfield, Victoria.

Live demonstrations can show you:

- Speed of production
- Simplicity of programming
- Maintenance and costs

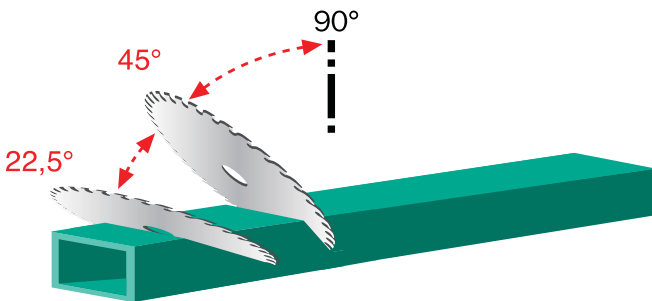
With financing packages available, Capral/SCM can demonstrate how, with a relatively low investment, you can create a manufacturing centre that will drive your business forward for years to come.

Supplying a turnkey solution, Capral/SCM work together to ensure your machine is installed, commissioned, and comprehensive training provided to your operators – ensuring an immediate positive effect on your business.



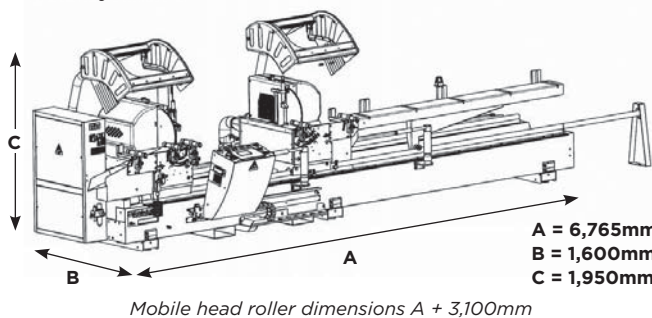
FOM INDUSTRIE BLITZ ALVA 500A 5M DOUBLE HEAD SAWING MACHINE

Double head sawing machine with \varnothing 500 mm blades, motorised movement of the mobile head and electropneumatic control of the head tilting.



- Blade tilting 90°/ 45°/ 22.5° and intermediate angles by means of front-mounted mechanical stop suitably protected from chips
- Integral guard around cutting zone
- Horizontal (3) and vertical (2) pneumatic vices
- Sturdy mobile head roller table 3000 mm
- Atomised cutting lubrication kit with possibility of setting lubrication frequency
- Electrical switchboard separate from pneumatic one, both positioned vertically and easily accessible for inspection
- Set up for forced extraction of chips and fumes
- Large swarf collection box to allow easy collection and cleaning
- Set up to take an optional motorised conveyor belt for collecting offcuts and a rear motorised chips collection conveyor belt

- Real-time control of functions by PLC
- Working pressure 7 bar
- Industrial type numerical control
- FOM Multitasking Operating System with user graphic interface with window menu and icons
- LCD colour graphic display 6.5"
- Alphanumerical touch keyboard with heat-moulded keys
- Semiautomatic cutting function with automatic profile height compensation, extrusion tolerance and piece counter with cutting disabling
- USB port for transmission of cutting list data
- Ethernet connection for transmission of cutting list data
- Formulae and Type software for up to six variables, where each element can be assigned a description of the machining operations to be performed
- Software for entering cutting lists manually from the keyboard
- Display of actual cutting time of lists originating from external programs
- Display of profile sections while executing cutting lists with indications of piece positioning on the machine
- Label printer with customised information and barcodes





FOM INDUSTRIE DALI 40 4 AXIS CNC MACHINING CENTRE

The DALI machining centre has been designed to perform boring and milling work on aluminium and steel profiles. The mechanical specifications of this modern machining centre and its control system, provide economical use in the production of single pieces.

- Available in 4 and 7-metre versions
- Electrospindle FOM 6,5 kW (S1) 19.000 rpm (ISO 30)
- 7 position tool magazine. (ISO 30)
- Note: No housing of single/double tool angular unit and blade-holder cone
- No. 4 pneumatic vices with positioning through carriage
- Left sliding pneumatic stop
- Micro drop lubrication with pure oil
- Chip bin Guard with receding frontal doors with automatic opening
- Set up for fumes extraction
- Electronic device:
POWER-M mobile control console with PC, 17" touch screen monitor, mouse and keyboard
- Software licence for FOMCAM program
- FOMCAM training course (FOM premises)

ADVANTAGES

- 6.5Kw high torque 4 axis electro spindle
- Full 3D graphic simulation
- 10 position automatic tool changer
- 4 profile clamps with automatic positioning
- Full safety enclose with automatic door opening
- Air conditioner for electrical cabinet
- Compressed air pressure 7-bar working pressure
- Compressed air consumption 89.7 NI/per cycle

TOOL HOLDERS AND COLLETS INCLUDED

- Customised tooling package that has been collided to be specific to the aluminium window and door industry
- Special ISO30 Tool Holder with extension arm to support blades up to 200mm in diameter (included with 200mm blade)

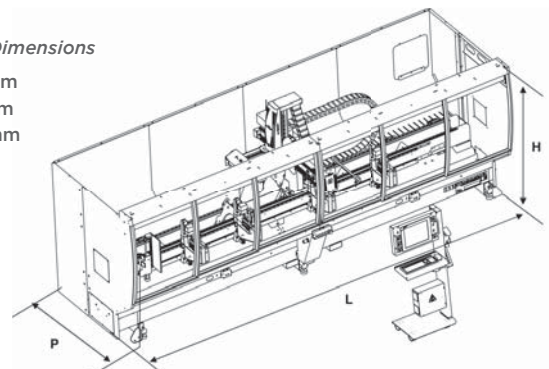
COMMAND CONSOLE

Incorporates the user interface made up of a PC, pendant control panel, display and alphanumeric keyboard; it includes

- Mobile control console
- Extractible shelves (right and left) for mouse support
- Network to machine electrical cabinet with RJ 45 attachment for the network line
- Network to VISION numeric control for the working programs
- Optical USB mouse
- Pendant push-button strip complete of potentiometer for the adjustment of the overfeed of the axes
- Colour display with flat-screen TFT 17"
- USB English keyboard
- Wireless barcode reader included as standard

DALI 40 Dimensions

L = 5591mm
P = 1815mm
H = 2214mm



Contact your local Account Manager or SCM Dealer

Capral 1800 258 646 | capral.com.au
SCM 1300 422 238 | scmgroupaustralia.com.au