

PRODUCT BULLETIN No. 251
AGS 225 Rail & Spigot Update
Commercial

Capral is pleased to announce further upgrades to the AGS 225 Hinged Doors focused on improving,

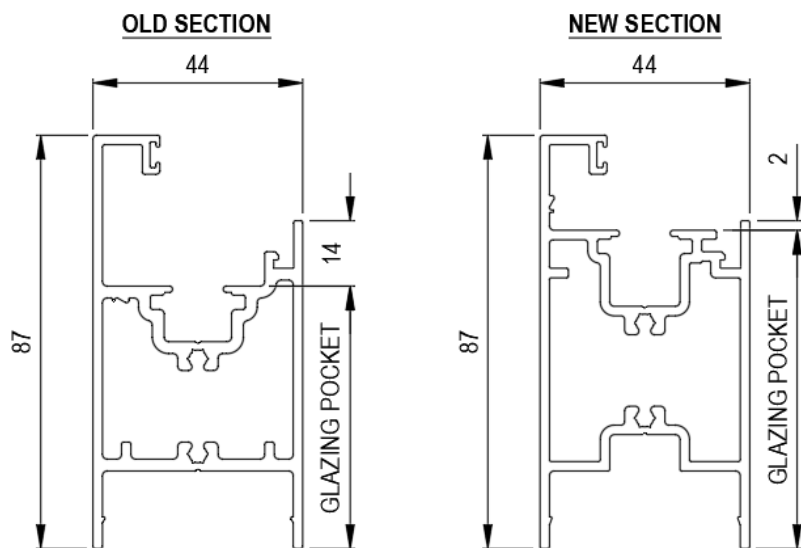
- Ease of glazing
- Stile & rail connection
- Improved ability to accept "Drop Seals".

Glazing Improvements

The glazing pocket design has been changed to remove the 14mm up-stand leg. This allows fabricators to "HEAL AND TOE" the glass with standard glazing supports blocks. Also included in the design improvements will be a horizontal support block (material number: 322233) to further assist with this "HEAL AND TOE" glazing method. Capral will continue to offer & support jacking screws and the previous glazing method.



322233 – Horizontal support block



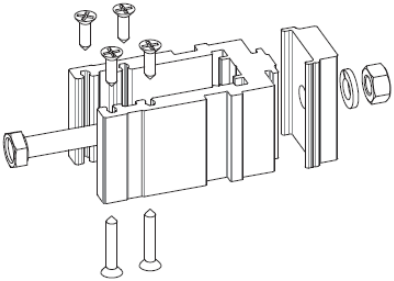
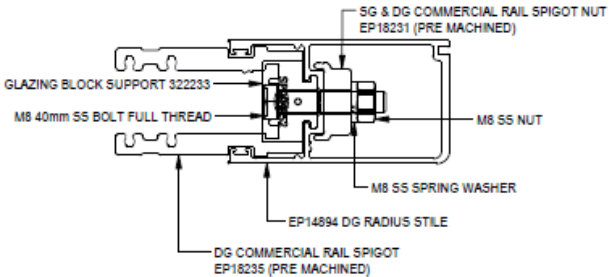
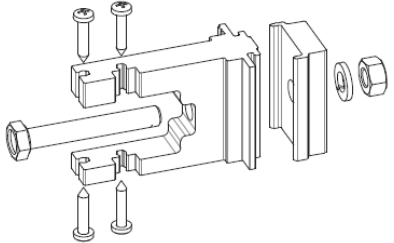
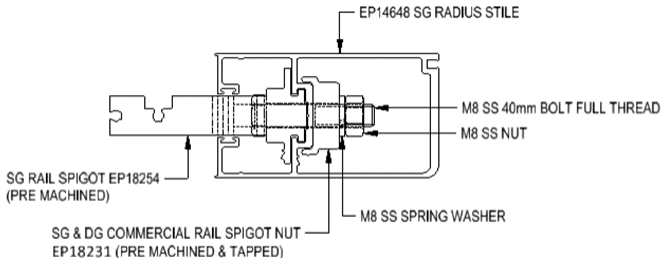
Stile & rail connection

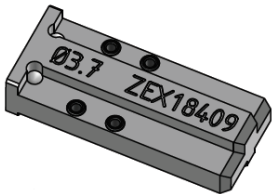
Due to concerns from some fabricators about the assembly of the door using the clamp spigot, a traditional bolt-fixed spigot system has been developed. Two dedicated spigot kits have been introduced to suit either single or double glazing.

These new spigots are fitted like traditional spigots where the spigot is screw fixed to the rail and bolted to the stile. Drill jigs have been developed for quick and accurate drilling of all holes in both single- and double-glazed rails.

Testing:

Substantial testing has taken place to verify the strength of this assembly method. Cycle testing was performed on a 2700mm x 1500mm DG door panel and it passed 1,000,000 cycles

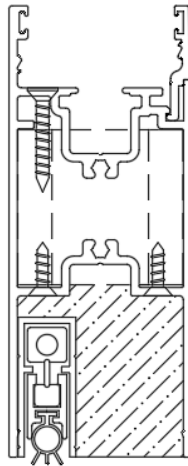
<p>AGS 225 Double Glazed Spigot Kit 322182</p>		
<p>AGS 225 Single Glazed Spigot Kit 322183</p>		

<p>225 DG Door Drill Jig 90763</p>		<p>Price: A\$320 +GST</p>
---	---	---------------------------

Drop Seals

The new rails extend the range of compatible drop seals to include brands such as RAVEN, KILARGO and LORIENT door seals. Drop seals can now be fitted as customers are accustomed.

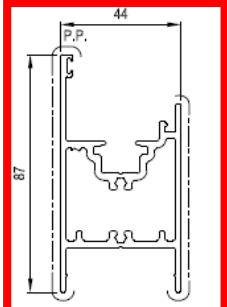
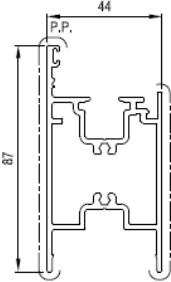
NEW SECTION ALLOY SPIGOT

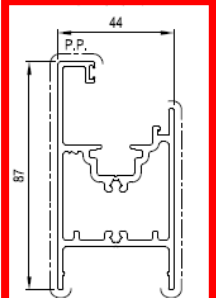
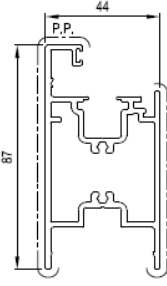
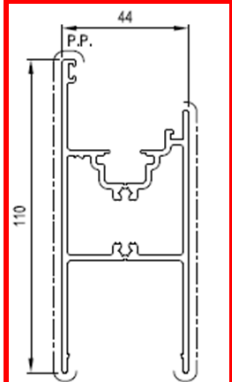
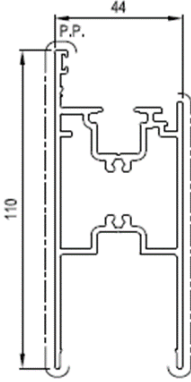
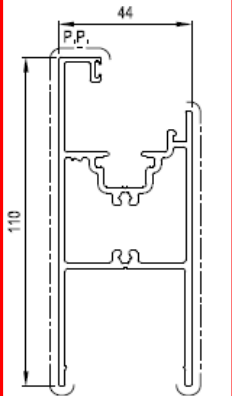
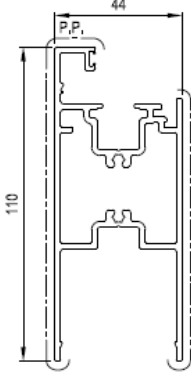


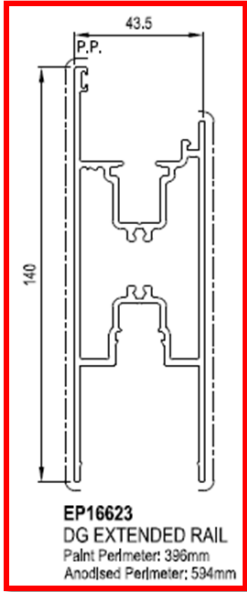
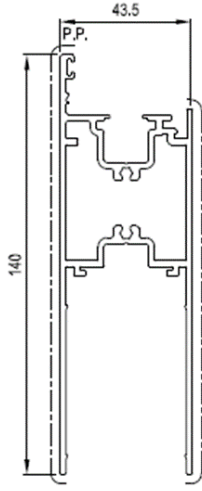
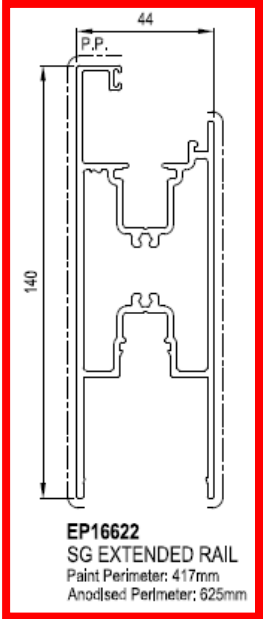
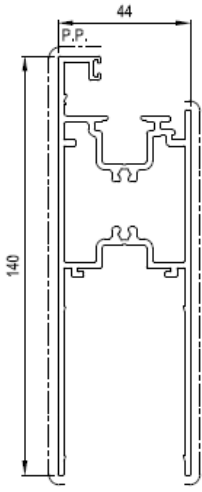
RAVEN DOOR RP8SI

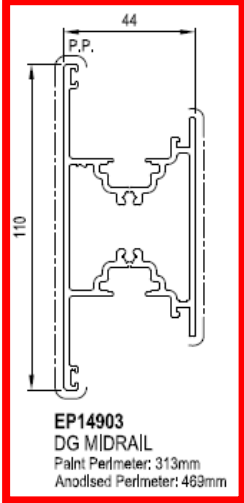
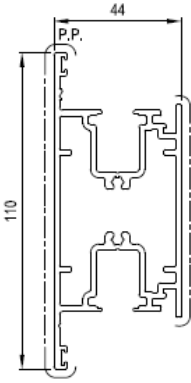
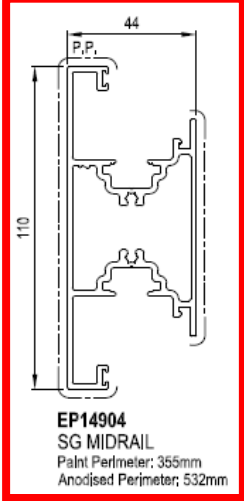
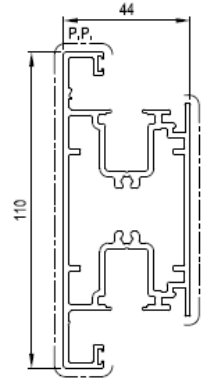
Product Stock

Stock of new sections are now available in all locations.

OLD RAIL	NEW RAIL
 <p>EP14963 DG SHALLOW RAIL Paint Perimeter: 253mm Anodised Perimeter: 379mm</p>	 <p>EP18286 DG SHALLOW RAIL Paint Perimeter: 264mm Anodised Perimeter: 335mm Weight: 1.754kg/m</p>

OLD RAIL	NEW RAIL
 <p>EP14962 SG SHALLOW RAIL Paint Perimeter: 274mm Anodised Perimeter: 410mm</p>	 <p>EP18289 SG SHALLOW RAIL Paint Perimeter: 284mm Anodised Perimeter: 426mm Weight: 1.824kg/m</p>
 <p>EP14899 DG RAIL Paint Perimeter: 314mm Anodised Perimeter: 471mm</p>	 <p>EP18287 DG RAIL Paint Perimeter: 325mm Anodised Perimeter: 487mm Weight: 2.00kg/m</p>
 <p>EP14661 SG RAIL Paint Perimeter: 335mm Anodised Perimeter: 502mm</p>	 <p>EP18288 SG RAIL Paint Perimeter: 345mm Anodised Perimeter: 518mm Weight: kg/m²,073</p>

OLD RAIL	NEW RAIL
 <p>EP16623 DG EXTENDED RAIL Paint Perimeter: 396mm Anodised Perimeter: 534mm</p>	 <p>EP18353 DG EXTENDED RAIL Paint Perimeter: 428mm Anodised Perimeter: 627 Weight: 2.38kg/m</p>
 <p>EP16622 SG EXTENDED RAIL Paint Perimeter: 417mm Anodised Perimeter: 625mm</p>	 <p>EP18354 SG EXTENDED RAIL Paint Perimeter: 439mm Anodised Perimeter: 658mm Weight: 2.451kg/m</p>

OLD RAIL	NEW RAIL
 <p>EP14903 DG MIDRAIL Paint Perimeter: 313mm Anodised Perimeter: 463mm</p>	 <p>EP18270 DG MIDRAIL Paint Perimeter: 335mm Anodised Perimeter: 502mm Weight: 2.28kg/m</p>
 <p>EP14904 SG MIDRAIL Paint Perimeter: 355mm Anodised Perimeter: 532mm</p>	 <p>EP18269 SG MIDRAIL Paint Perimeter: 376mm Anodised Perimeter: 564mm Weight: 2.42kg/m</p>

Technical Notes

- Technical Manuals will be updated and published for download from the Capral website.
- These new sections are now available in the Cre8 and Logikal estimation packages

Please contact your local Capral representative for further information.



Matthew Finnie

National Manager Window & Door Systems