

Product Bulletin 252

Technology Solutions Group

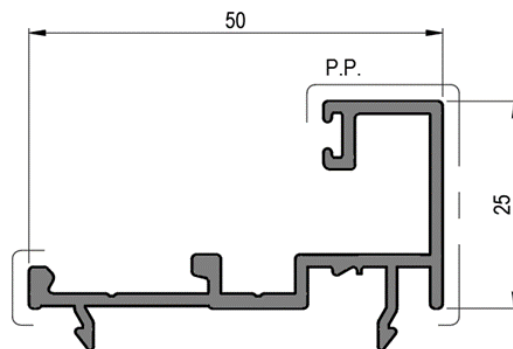
NOTIFICATION **Product Update** **Date:** 01.07.2021

Department Building Systems Group

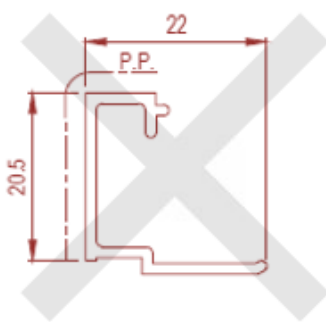
Product Urban Plus Fixed Light Adaptor Update

As part of redefining and upgrading Capral's suites, we are pleased to announce a new extrusion, **EP18722**. This is a new Urban Plus Fixed Light Adaptor, created to utilise the 35 Series glazing beads. This expands the glazing capacity from 4mm up to 28mm, along with exploiting existing glazing beads commonly used throughout Capral systems.

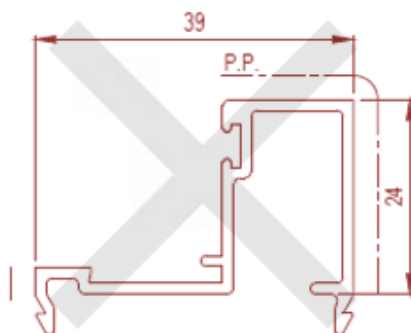
This extrusion, along with the beads, will replace extrusions **ED7938**, **ED7883** and **ED7814** as shown below. These sections will now be removed from Capral's offer.



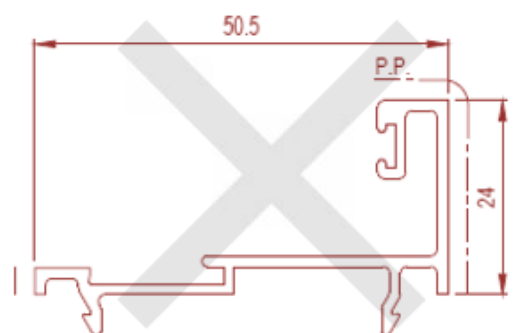
EP18722 - Urban Plus Fixed Light Adaptor



ED7814 – Fixed Light Glazing Bead

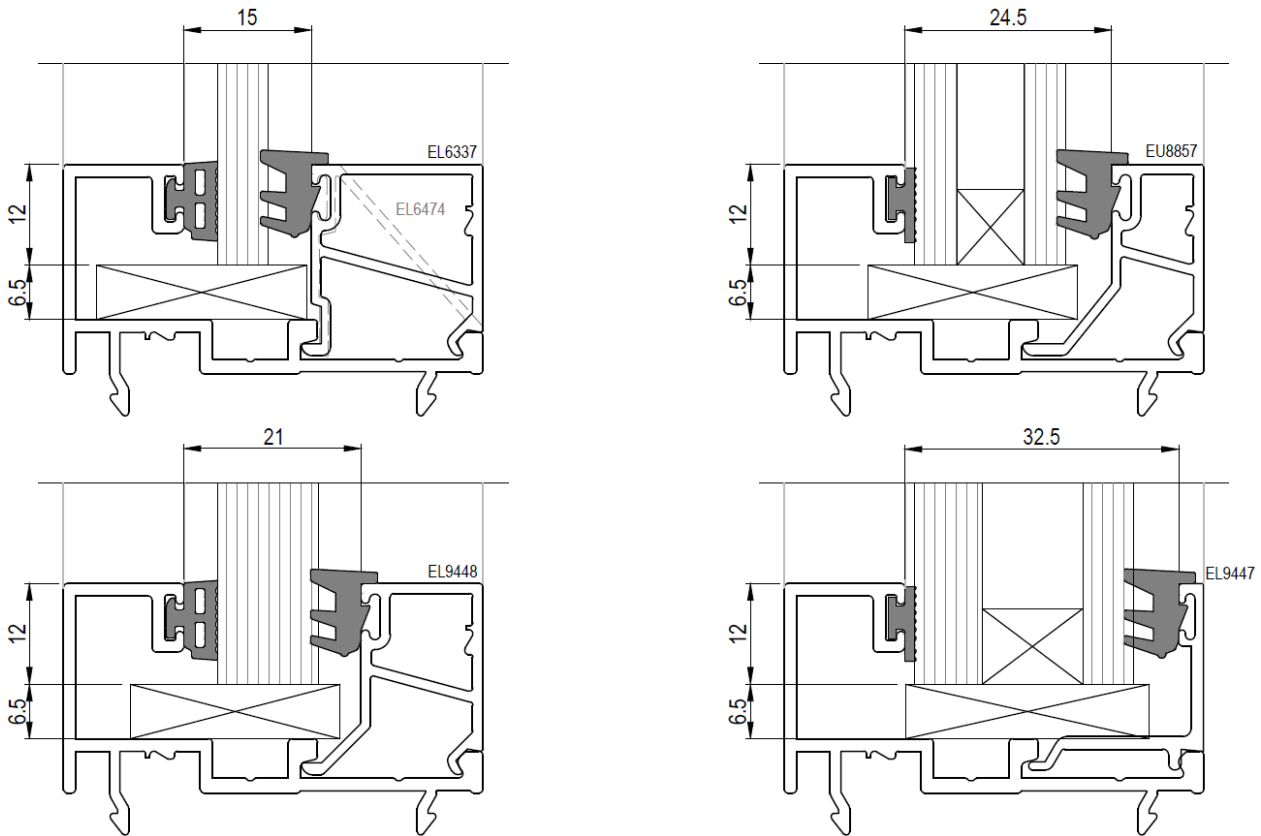


ED7938 – Fixed Light Single Glazed Adaptor



ED7883 – Fixed Light Double Glazed Adaptor

New glazing capacity sizes with suggested backing gasket and wedge combinations as follows.
This is an improvement from the old system, which was limited in its variety of glass sizes.



	GLASS		GASKET		WEDGE			GLASS		GASKET		WEDGE	
EL6337	4mm	306905	4mm	306909	7mm	BLACK	EU8857	16mm	306905	4mm	306913	4.5mm	YELLOW
	5mm	306905	4mm	306916	6mm	GREY		18mm	306908	1.2mm	306915	5.5mm	GREEN
	6mm	306905	4mm	306914	5mm	WHITE		20mm	306908	1.2mm	306911	3.5mm	RED
	8mm	306908	1.2mm	306916	6mm	GREY		22mm	306905	4mm	306909	7mm	BLACK
	10mm	306908	1.2mm	306912	4mm	ORANGE		24mm	306905	4mm	306913	4.5mm	YELLOW
EL9448	10mm	306905	4mm	306909	7mm	BLACK	EL9447	26mm	306908	1.2mm	306915	5.5mm	GREEN
	12mm	306905	4mm	306914	5mm	WHITE		28mm	306908	1.2mm	306911	3.5mm	RED
	14mm	306908	1.2mm	306916	6mm	GREY							
	16mm	306908	1.2mm	306912	4mm	ORANGE							

*Cutting formulas do change, so please refer to the Urban Plus 397 Hinged Door manual as reference

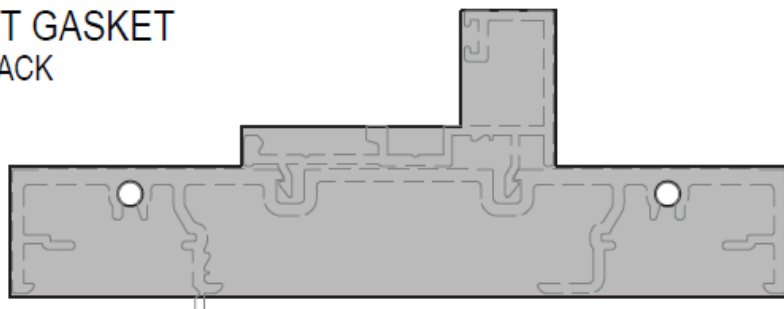
This new glazing system requires a new frame gasket.

The **323665** Urban Plus Fixed Light Gasket will replace:

- **310546** (HM134) Single Glazed Fixed Light Gasket
- **311749**(HM147) Double Glazed Fixed Light Gasket

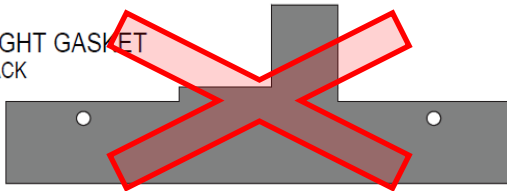
These gaskets have been removed from Capral's offer.

323665
FIXED LIGHT GASKET
100 PACK - BLACK
(SPD05333)

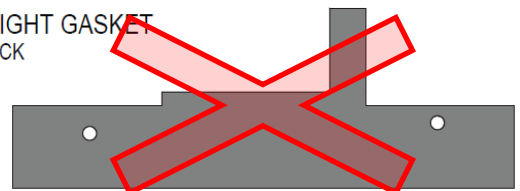


USE WITH EP18722 / EP16389.EP16279

310546
SG FIXED LIGHT GASKET
100 PACK - BLACK
(HM134)



311749
DG FIXED LIGHT GASKET
50 PACK - BLACK
(HM147)



Technical Notes

- Technical Manuals have been updated and published for download from the Capral website.
- These new sections will be available in the next Cre8 and Logikal software updates

Please contact your local Capral representative for further information.

Regards

Matthew Finnie
National Systems Manager
Building Systems Group