



# Product Bulletin 258

## Technology Solutions Group

**NOTIFICATION** **Magnetic Latch & Handle** **Date:** 05.03.2021

Department Building Systems

Product Screen Doors Market – Sliding Door Magnetic Latch

Capral have released a new Magnetic Flydoor Latch & Strike and Magnetic Flydoor Latch & Handle Kit for the use on Sliding Screen Doors.

The product is universal and can be easily installed with the use of existing security door tools. Once installed, the product assists in latching the screen door in the closed position using concealed magnets within the unit and engaging with a powdercoated black steel strike.

A modern surface mount door handle, matt black in appearance, with no exposed screw heads is also available to compliment the range.

Wall Chart of suitable Screen Door Extrusions can be found here: [Wall Chart](#)

### Order Codes:

**322239 MAGNETIC FLYDOOR LATCH & STRIKE – AVAILABLE NOW**

**323401 FLYDOOR HANDLE KIT BLK – AVAILABLE NOW**

**323526 FLYDOOR MAGNETIC CLOSURE KIT – AVAILABLE IN MAY (INCLUDES)**

**X1 MAGNETIC FLYDOOR LATCH & STRIKE**

**X2 FLYDOOR HANDLE BLK**

**X8 SCREWS**

The new hardware will be added to software and included in future updates to Screening Manuals.

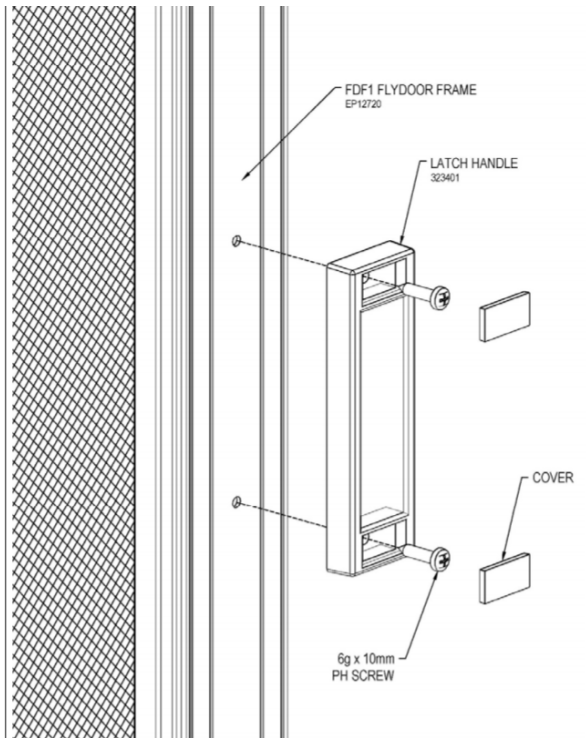
Regards

*Jack Ryan*

**Jack Ryan**

Home Improvements

Market Manager



*(ABOVE) FLYDOOR HANDLE (BELOW) MAGNETIC LATCH & STRIKE*

