



Product Bulletin 281

Technology Solutions Group

NOTIFICATION New Product Release

Date: 30.07.2021

Department Building Systems Group

Product Urban Plus Designer Residential 391 Double Hung window



Capral is pleased to announce the release of our new Urban Plus Designer Residential Double Hung window. The information contained in this Bulletin will assist you in presenting this exciting new product to your customers and teams. More detailed information can also be found on the Capral website under the technical information tab on the suites product page, additionally a full market release to all our industry partners will follow in coming months.

For further information please visit the Capral website.

capral.com.au/product/urban-plus-double-hung-window

Product Summary

The Urban Plus Designer Residential 391 Double Hung window, is designed on a 76mm framing platform and compatible with the AGS commercial system. This exciting new product is a modern-day version of a classic window. Boasting sleek lines and a neatly concealed flyscreen, the 391 Double Hung picks up where the Genesis version left off whilst utilising components from existing Capral suites. With dedicated head and sill sections allowing for fully revealed installation without the need for a sub sill or sub frame.

Features & Benefits:

- Achieves high wind and water ratings
- Single glazed sashes up to 10mm
- Double glazed sashes to 18mm
- Sash restrictor available for fall prevention
- Proprietary sash - key locking
- Innovative sash corner cleat assembly system for superior mitres.
- End caps to promote clean sleek lines.
- Integrated flyscreen/barrier/Security screens
- High light and low light combinations
- Dedicated Head & Sill sections

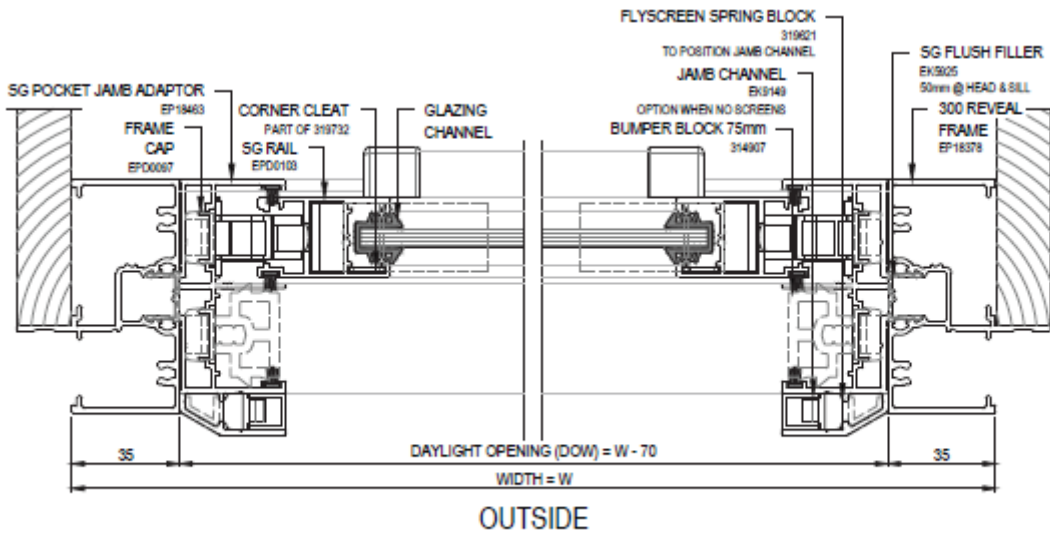


Figure 1: Horizontal Arrangement – 391 Double Hung window

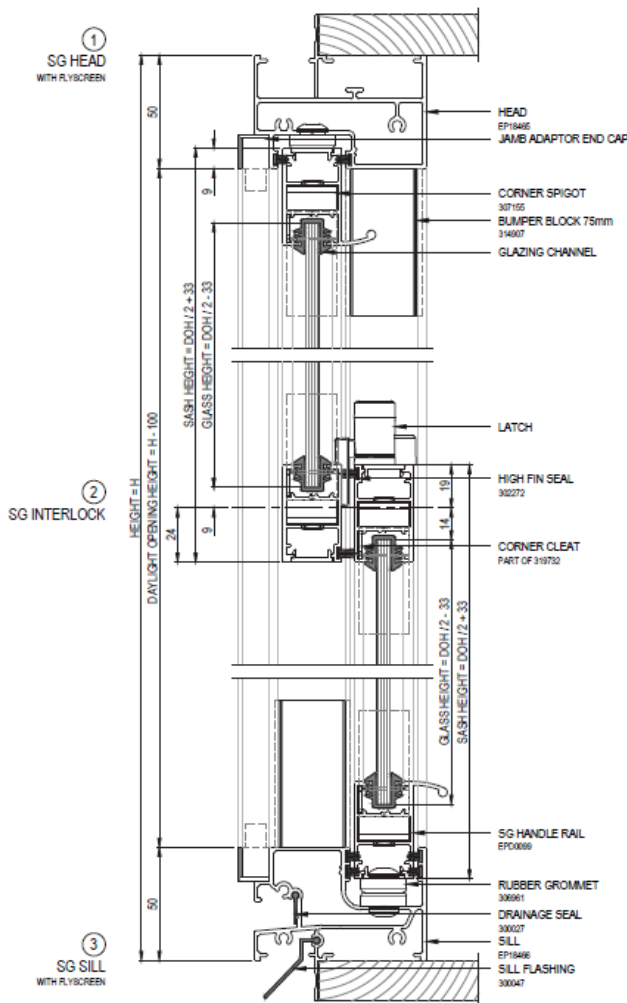


Figure 2: Vertical Arrangement – 391 Double Hung window

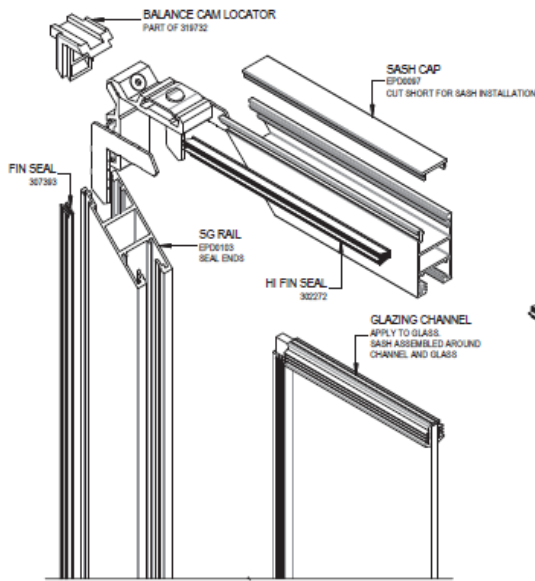


Figure 3: Innovative sash corner cleat system – Ensuring tight mitres

Tooling

For all tooling options to manufacture the Urban Plus Designer Residential 391 Double Hung window, please contact your local Capral representative or the undersigned for further information

Software



The Urban Plus Designer Residential Double Hung window will be available in future updates of LogiKal following user acceptance testing (UAT) scheduled for September 2021.

This new range will be included in the upcoming release of Cre8 version 3.8, scheduled for release in Q4 2021.

Regards

Matthew Finnie
National Systems Manager
Building Systems Group