



Product Bulletin 282

Technology Solutions Group

NOTIFICATION New Product Release

Date: 30.07.2021

Department Building Systems Group

Product Urban Plus Designer Residential 392 Awning Casement window



Capral is pleased to announce the release of our new Urban Plus Designer Residential Awning and Casement window. The information contained in this Bulletin will assist you in presenting this exciting new product to your customers and teams. More detailed information can also be found on the Capral website under the technical information tab on the suites product page, additionally a full market release to all our industry partners will follow in coming months.

For further information please visit the Capral website or the Capral Hub app.

<https://www.capral.com.au/product/urban-plus-awning-casement-window>

Product Summary

The Urban Plus Designer Residential 392 Awning Casement window, based on a 75mm framing platform and compatible with the AGS commercial system has been designed as a high end residential product suitable for revealed installation, designed with fully integrated drainage to eliminating the need for sub sill or sub framing. With many innovative features and benefits, the new Urban Plus 392 Awning Casement gives you a point of difference in the residential window market.

Features & Benefits

- Large height and width dimensions to suit architectural designs
- Single glazed glass thickness up to 14mm
- Double glazing up to 26mm
- Internally beaded sash to support onsite glazing practices.
- Integrated hook hinge flush with sash face for clean crisp design lines
- Awning Stay options up to 106kg
- Casement Stay options up to 54kg
- Customised secondary sash lock to support awnings up to 2100mm high
- Integrated flyscreen/barrier and security screening design
- Multiple hardware options, including electric winder and truth winder

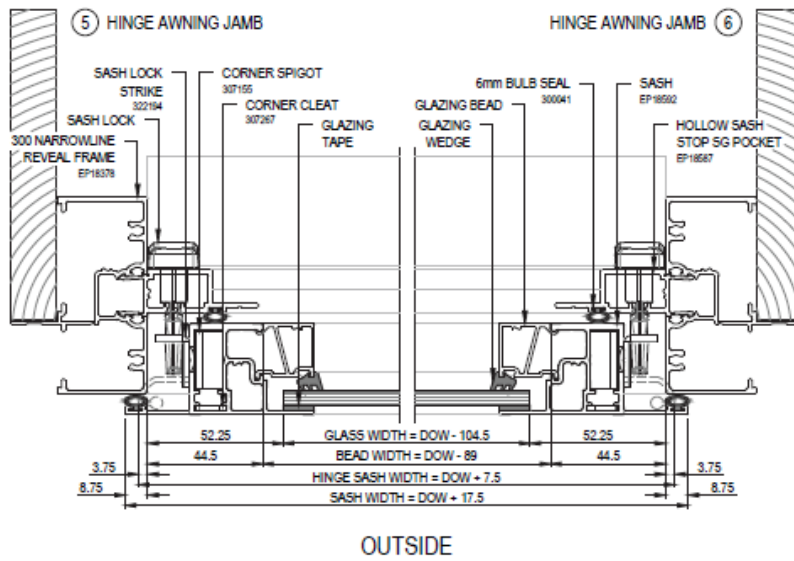


Figure 1: Horizontal Arrangement – 392 Awning window

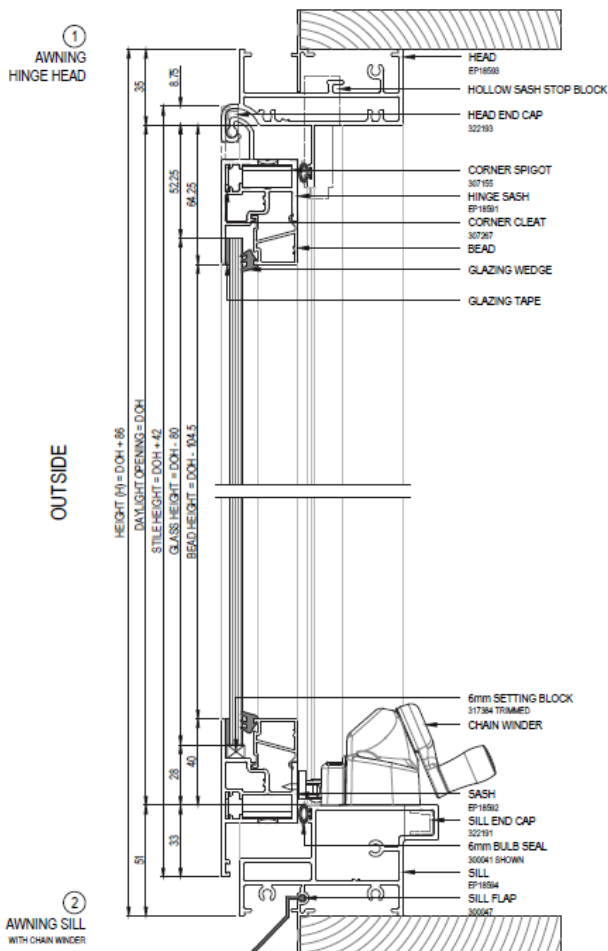


Figure 2: Vertical Arrangement – 392 Awning window

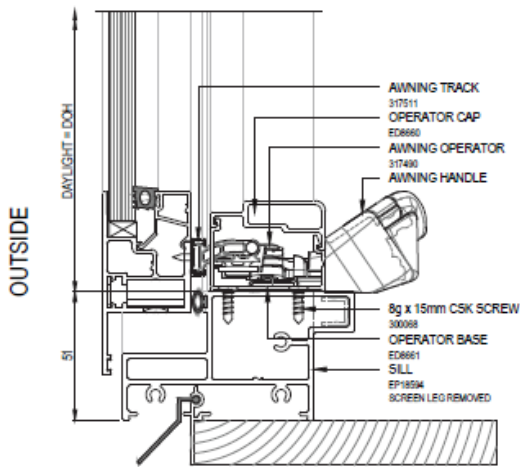


Figure 3: Truth – Scissor action hardware option

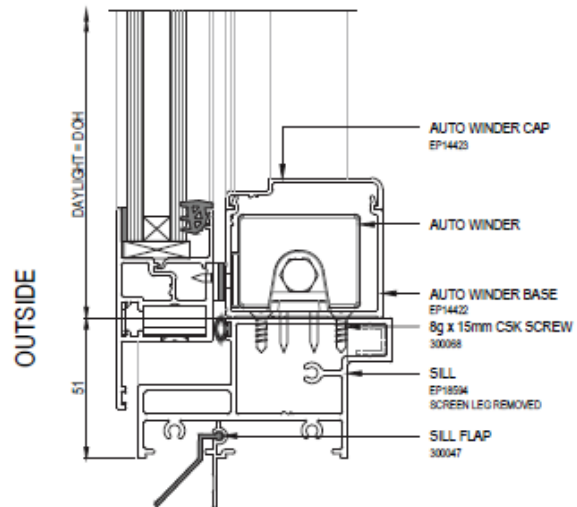


Figure 4: Electronic Winder option

Tooling

For all tooling options to manufacture the Urban Plus Designer Residential 392 Awning Casement window, please contact your local Capral representative or the undersigned for further information.

Software



The Urban Plus Designer Residential Awning window will be available in future updates of LogiKal following user acceptance testing (UAT) scheduled for September 2021.

This new will be included in the upcoming release of Cre8 version 3.8, scheduled for release in Q4 2021.

Regards

Matthew Finnie
National Systems Manager
Building Systems Group